

# AO19 SERIES®

## AO19-1

### Low Energy Automatic Door Operators for Single Doors

---

The AO19 Series Automatic Operator for single doors is an easy to install, heavy duty product for high use and high abuse low energy applications. The AO19 Series meets requirements for ANSI/BHMA A156.19 (American National Standard for Power Assist and Low Energy Power Operated Doors) and provides standard features that meet the requirements of the American Disabilities Act.



AO19-1 RH Push

Shown with 21 Series  
Electric Latch  
Retraction (ER)

#### Benefits -

---

- Economical operator provides safe and easy access in medium to high-traffic and security areas
- Provides ADA compliant access to handicap applications
- Quiet operation
- Hanger plate allows quick installation
- Self-contained unit in an extruded case allows easy access for maintenance and adjustments
- Works with existing access control, locking and computer signal devices
- Reduced service calls due to heavy-duty construction
- 3-way low-voltage ON/OFF/HOLD switch for ease of service and setup
- 115VAC power plug-in mounted in header
- Easy manual use

#### Features -

---

- Available in single, pair (twin) for independent, simultaneous and dual egress openings
- Single voltage source required to operate
- Electric lock switch provides a small delay before door opens to unlock an electric strike, maglock or other types of electric locks
- Adjustable delayed activation for sequenced vestibule doors
- Reverse on obstruction stalls a door during closing cycle and re-activates to open if an obstruction is sensed anytime before the latch position. Must be selected to activate.
- Adjustable closing speed
- Push & Go (Use for Handicap) activates when door is manually pushed to open. Must be selected to activate.
- Power close applies a reverse power to aid in latch check position. Must be selected to activate.

## Mechanical Options

- LH Push - Left Hand Push
- RH Push - Right Hand Push
- LH Pull - Left Hand Pull
- RH Pull - Right Hand Pull
- 39.5" - Fits above most 36" doors
- 45.5" - Fits above most 42" doors

## Accessories

- 104792 - Wireless Button Package (includes 2 buttons, box and receiver)
- Call for available activation options
- PB-2048-3 - Mushroom switch, hard-wired
- DS-3681-630 - Electric Strike, cylindrical
- PT5 - Power Transfer
- EWH8-626 - Electric Hinge

## Technical Information

Power Requirements -  
 • 115VAC 60 HZ 3 amps

Motor  
 • 115VDC rectified  
 • 1/8 hp  
 • 60:1 gearbox

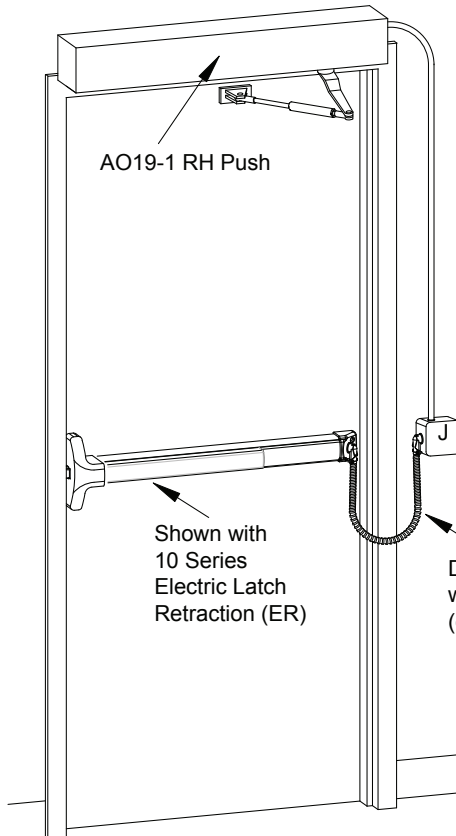
Module -  
 • Activation input terminals  
 • Form C lock switch terminals  
 • Safety lock-out built in  
 • 17 additional features standard on board

Enclosure -  
 • 7" h x 4 1/2" d  
 • Approximately 50 lbs  
 • Aluminum extrusion

## Finishes

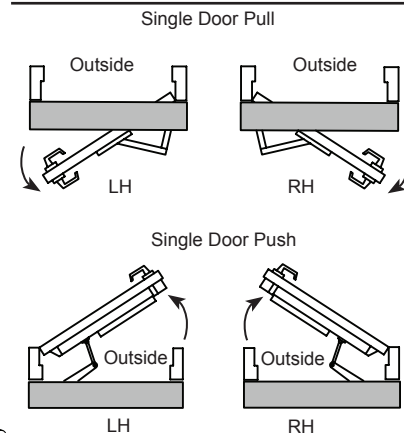
- AL - 204-Ri Clear: Arch. Class II anodized coating, AA-M12C22A31
- BZ - 313-Ri Dark Bronze: Arch. Class II Anodized coating, AA-M12C22A32

## Riser Diagram



Typical Application

## Handing Diagram



J-box (sold separately)  
 Detex flexible conduit with connections (optional)

## Listings and Approvals -



Certified to ANSI/UL 325-2006  
 Tested - ANSI 156.19



Meets ADA requirements



Certified to CAN/CSA 247-92



3-Hour Fire Listed

## Detex Limited Warranty

3 Year Mechanical / 1 year Electrical  
 Limited Manufacturers Warranty

*Where Trust is Built™*  
**DETEX®**  
*Life Safety and Security Door Hardware*

Detex Corporation  
 302 Detex Drive  
 New Braunfels, Texas 78130-3045 USA  
 PH. (830) 629-2900  
 (800) 729-3839  
 FAX (830) 620-6711  
 (800) 653-3839  
<http://www.detex.com>  
 USA Sales:  
[marketing@detex.com](mailto:marketing@detex.com)  
 International Sales:  
[export@detex.com](mailto:export@detex.com)