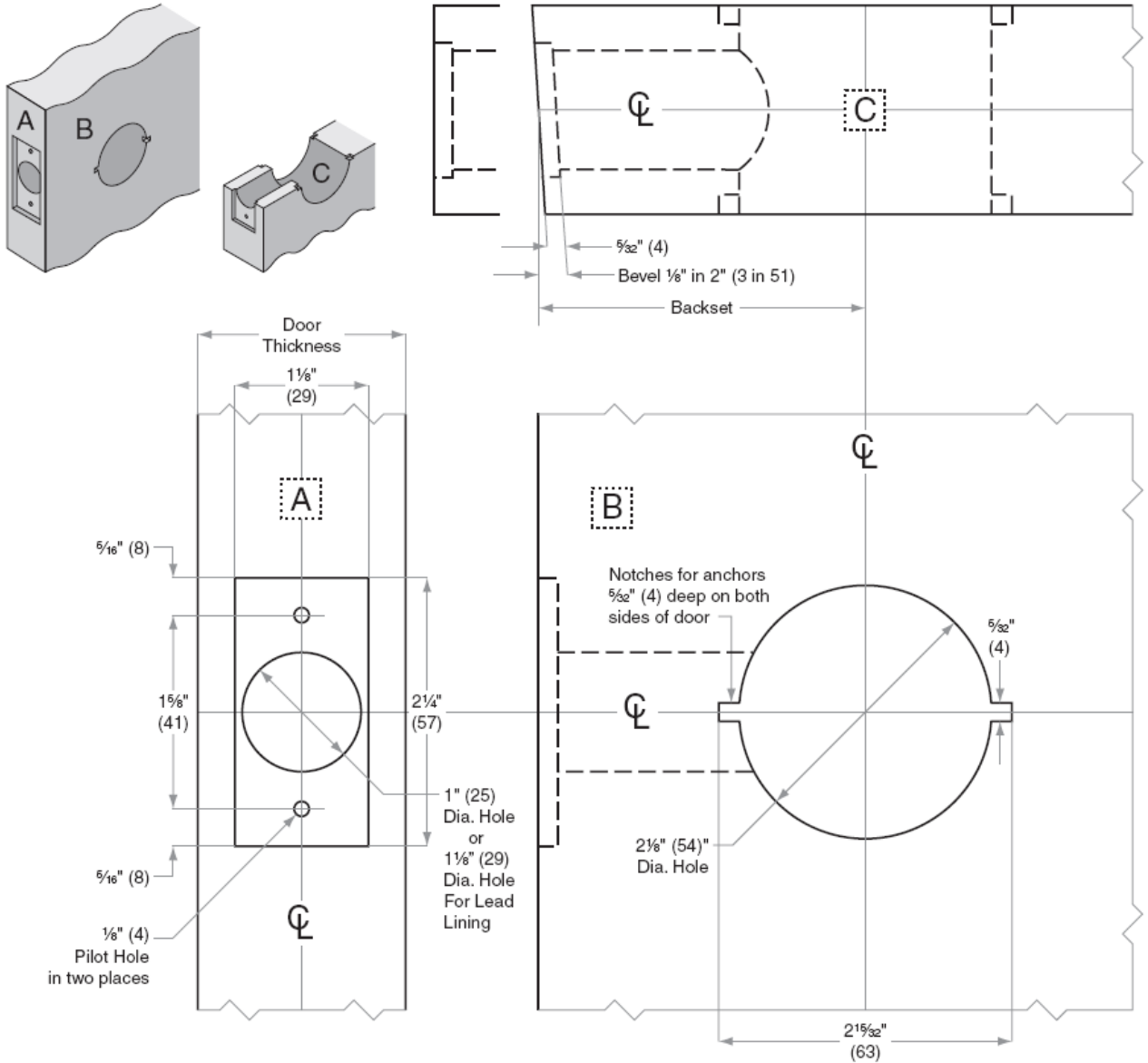


D Design Hardware



<p>Template No. K2-021209</p>	<p align="center">Design Hardware</p> <p align="center">K2 Series Cylindrical Lockset</p>	<p align="center">Functions 75, 76, 82, 84, 86 w/ Std. 2 3/4" Latch</p>
---	--	--