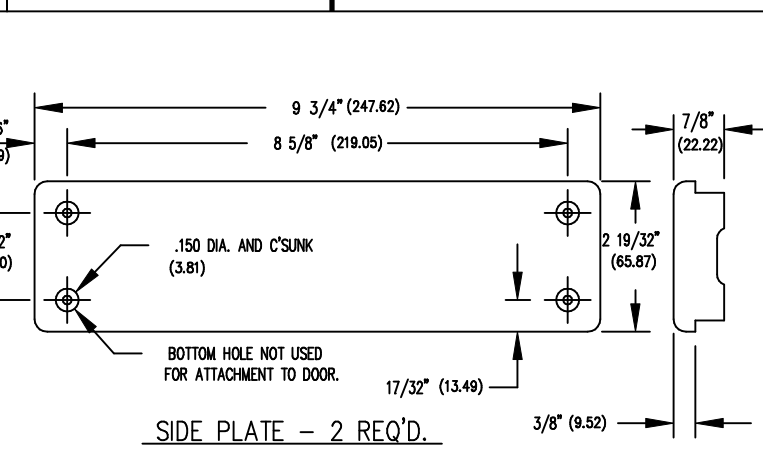
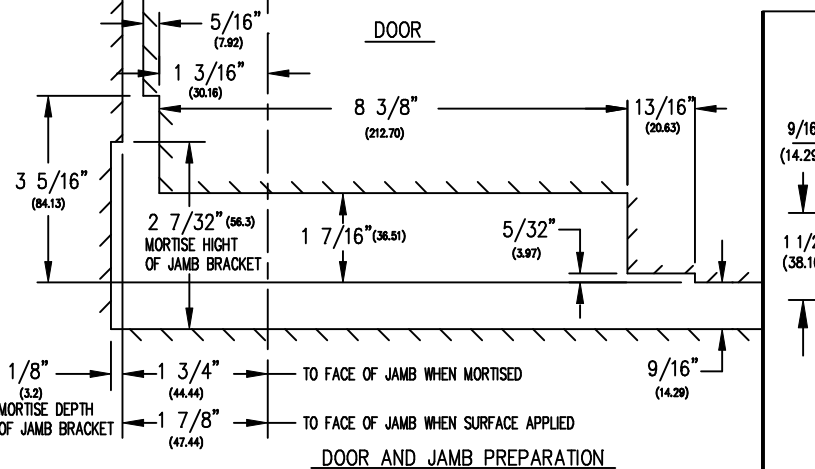
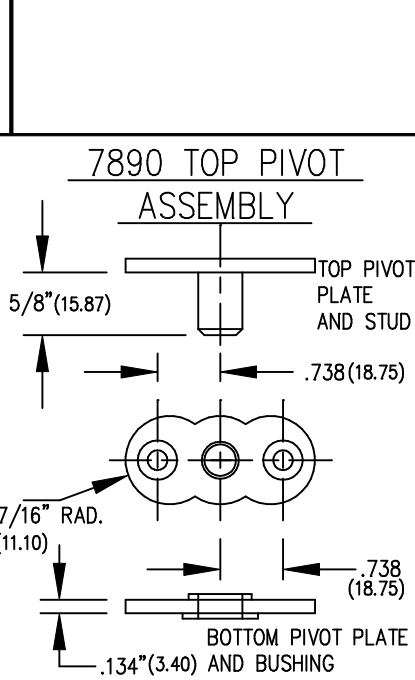
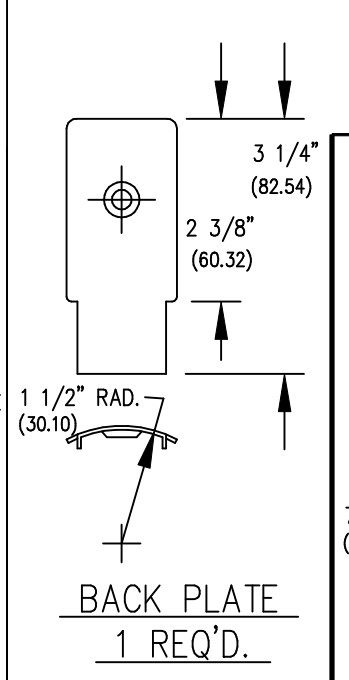
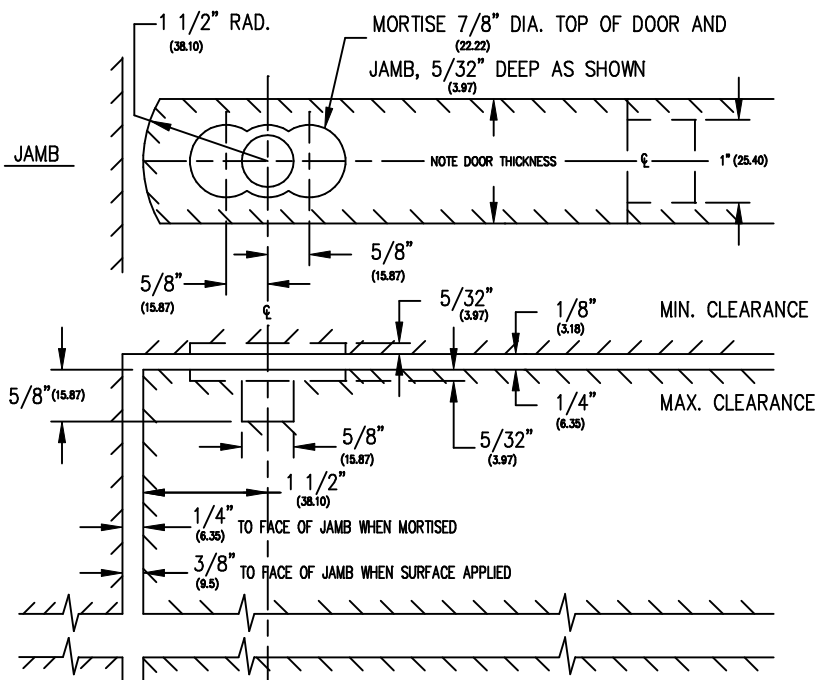
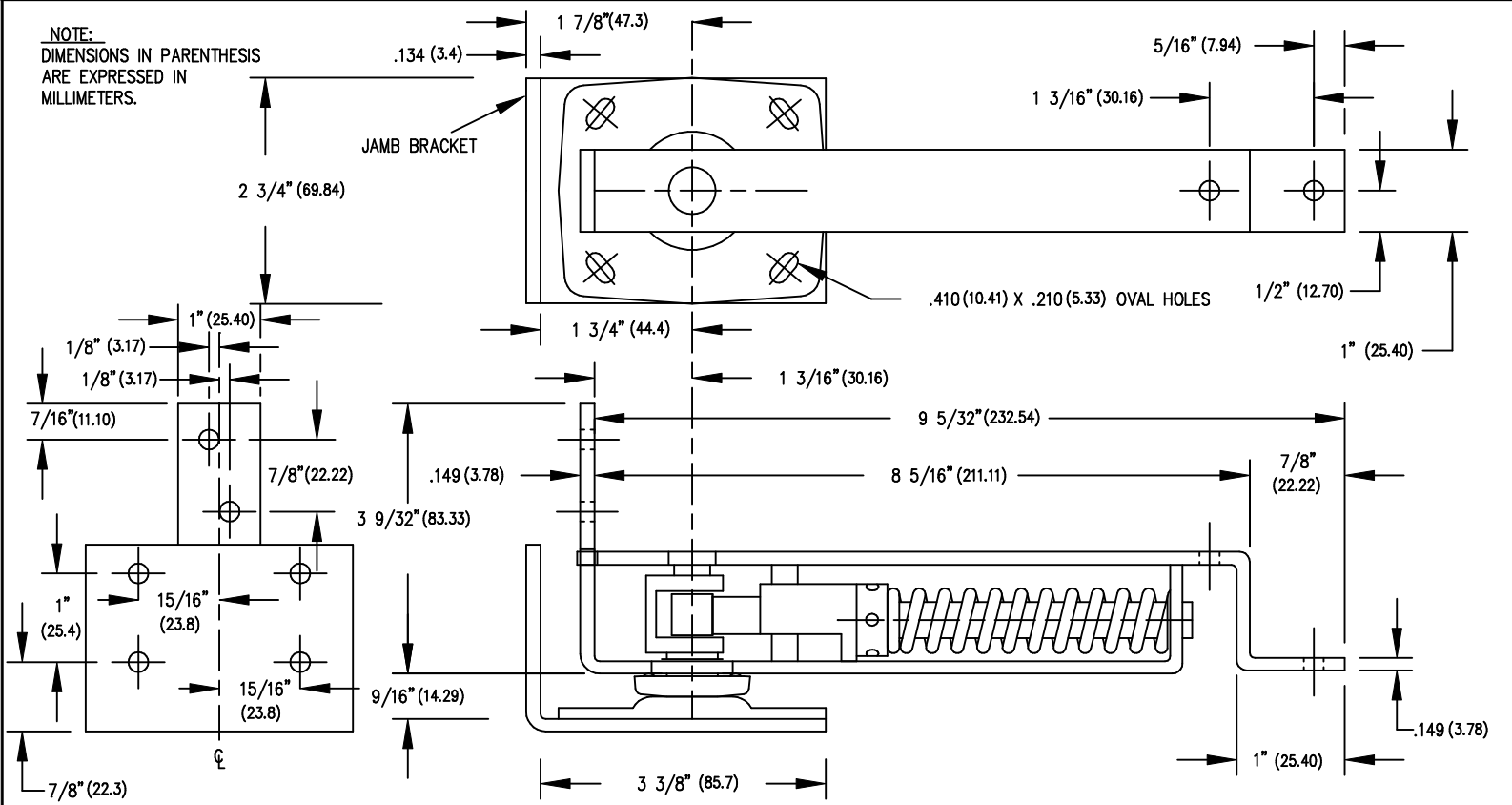


NOTE:  
DIMENSIONS IN PARENTHESIS  
ARE EXPRESSED IN  
MILLIMETERS.



ITEM	SCREWS
FRAME	(4) #10 X 1 1/4" P.H.W.S
JAMB BRACKET	(4) #10 X 1 1/4" P.H.W.S (4) #10-24 X 1/4" F.H.M.S
SIDE PLATE	(6) #6 X 3/4" F.H.W.S
BACK PLATE	(1) #10-24 X 1/2" F.H.M.S
TOP PIVOT	(4) #10 X 1" F.H.W.S

NOTE  
DOOR THICKNESS  
1 3/8" TO 1 3/4"

BOMMER IND. INC. LANDRUM, S.C.  
TYPE : HORIZONTAL SPRING PIVOT  
DOUBLE ACTING  
PART NO.: 7812 AND 7822  
Drawn by : JACKSON DATE SCALE DRAWING NUMBER REV.  
Approved by : 2 JUN 99 N.T.S. 7812-TEMP B