



Scan Me for

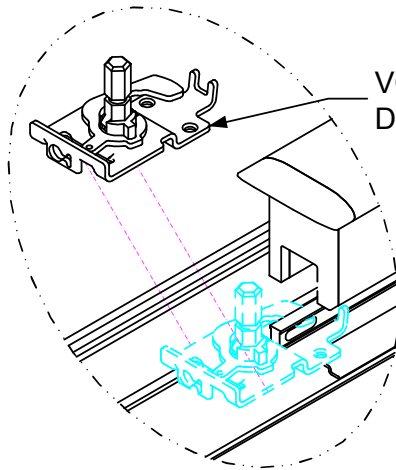
- Product Video
- Datasheet
- Price List
- Install Instructions

Use QR Code Phone App

INSTALLATION INSTRUCTIONS LR100VDK ELECTRIC LATCH RETRACTION DEVICE KIT (VON DUPRIN)

Step 1

Remove Von Duprin installed mechanical dogging assembly.



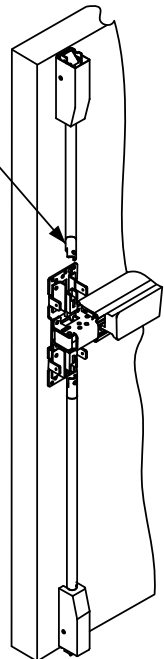
VON DUPRIN MECHANICAL DOGGING ASSEMBLY

ELECTRICAL DATA
 24VDC @ 500/180mA
 RED (+) BLK (-)
 PATENT PENDING

Disconnect vertical rods from the Device head

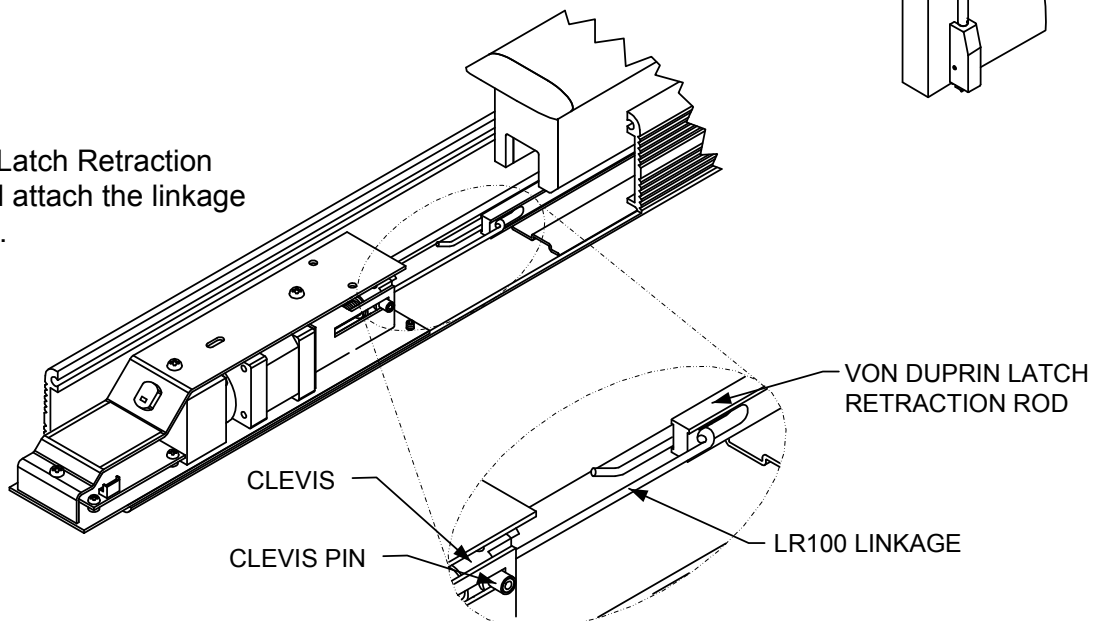
NOTE Retro-Fitting Vertical Rod Devices:

Before retro-fitting an electric latch assembly into a vertical device, the following must be done to ensure proper alignment. Disconnect the vertical rods from the device head. Install the electric latch assembly as shown above. Once the ELR is properly installed energize it so that the push pad is dogged down, by doing so it will allow for proper alignment for the vertical rods. Finally reconnect the vertical rods to the device and make the proper adjustments.



Step 2

Slide the LR100 Electric Latch Retraction assembly into device and attach the linkage to the latch retraction rod.

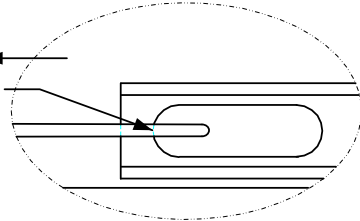


INSTRUCTIONS CONTINUED ON BACK OF PAGE

Step 3

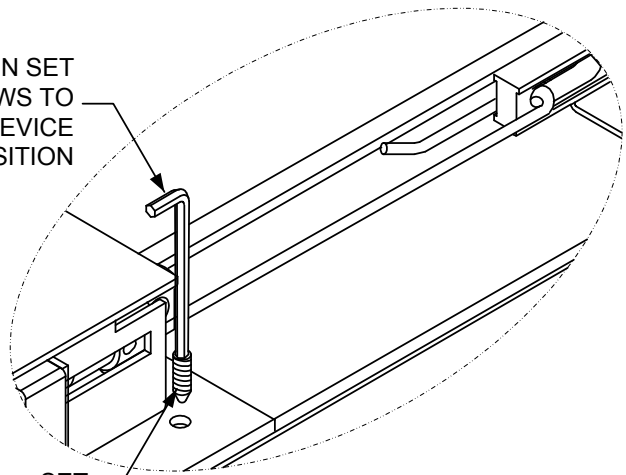
Carefully slide the LR100 assembly back out until the linkage JUST makes contact with the latch retraction rod. Tighten set screws.

BACK LR100 OUT UNTIL LINKAGE JUST MAKES CONTACT HERE

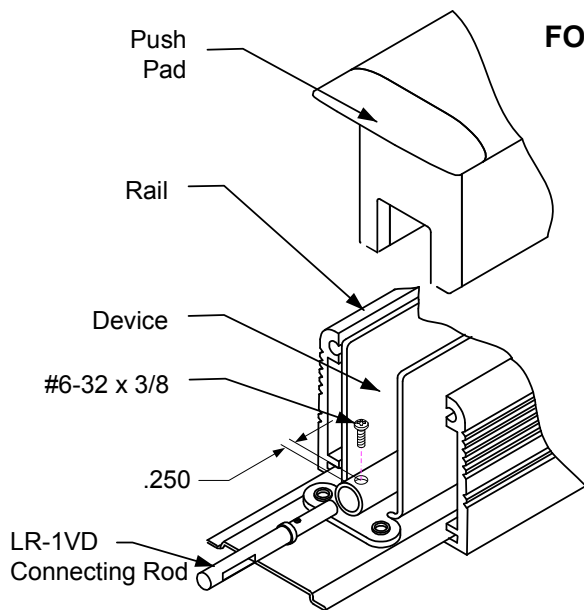


TIGHTEN SET SCREWS TO LOCK DEVICE IN POSITION

SET SCREWS



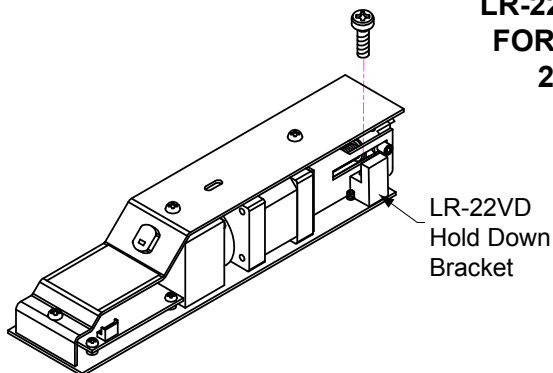
INSTALLATION INSTRUCTIONS LR-1VD CONNECTING ROD FOR USE ON VON DUPRIN DEVICES LESS DOGGING FEATURE



When retrofitting to existing vertical rod devices, adjustment of the rods are required for proper assembly of the LR100VDK Kit. Please see the SDC website (www.sdcsecurity.com) for installation tips and photographs of installing.

1. Remove the rail and push pad from the device
2. Drill a 5/32" (.156") diameter hole as shown in illustration.
3. Insert the connecting rod provided and fasten in screw

INSTALLATION INSTRUCTIONS LR-22VD Hold Down Bracket FOR USE ON VON DUPRIN 22 SERIES DEVICES



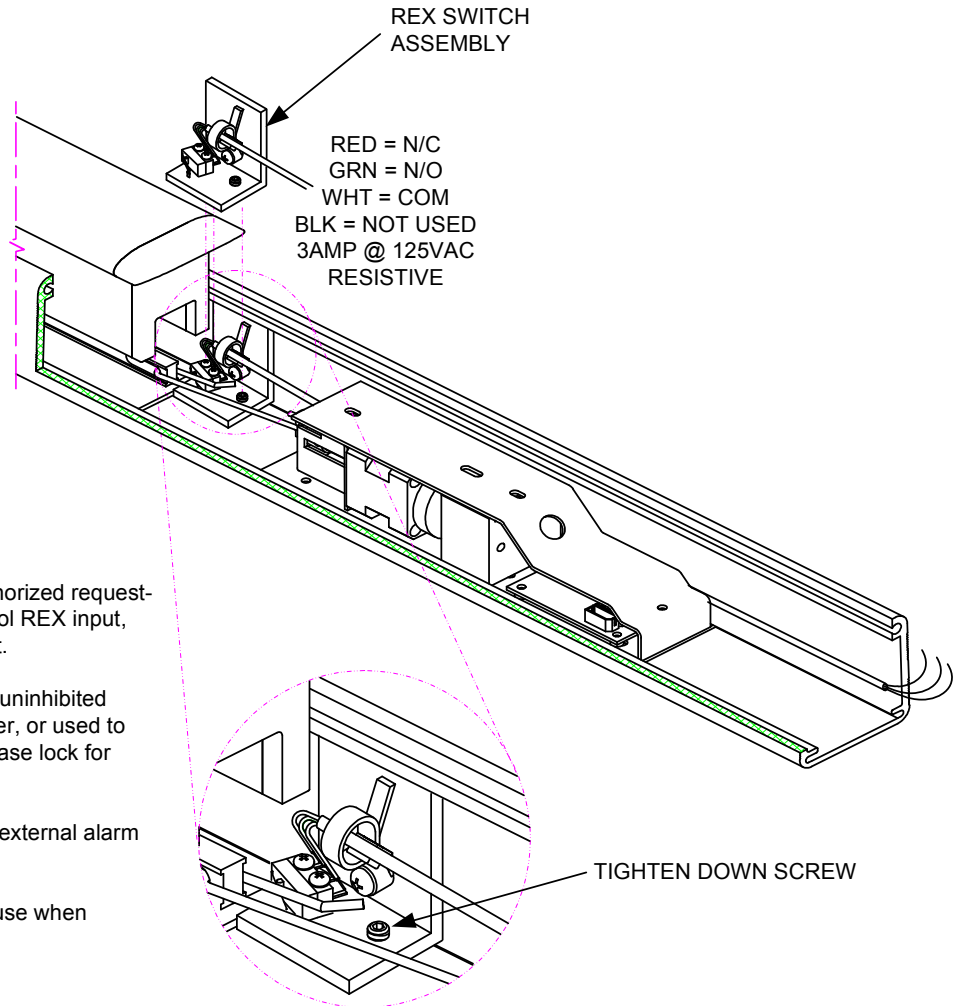
1. Remove a set screw from the ELR base assembly and replace with the hold down bracket provided.
2. Loosely mount the bracket into the base assembly.
3. Then slide the ELR assembly into the device rail (Refer to step 2 & 3 on reverse side).
4. Tighten down the hold down bracket to secure the assembly in the device.



SECURITY DOOR CONTROLS

3580 Willow Lane, Westlake Village, CA 91361-4921 • (805) 494-0622 • Fax: (805) 494-8861
www.sdcsecurity.com • E-mail: service@sdsecurity.com

LRVD1R INSTALLATION INSTRUCTIONS PUSH PAD (REQUEST-TO-EXIT) SWITCH KIT VON DUPRIN 98/99-33 SERIES



Applications

Access Control REX: Provides an authorized request-to-exit signal to activate an access control REX input, shunting the access control alarm output.

Magnetic Lock REX: Releases lock for uninhibited egress when wired in series to lock power, or used to activate a time delay trigger input to release lock for egress.

Exit Alarm: May be used to activate an external alarm horn located adjacent to the opening.

Remote Annunciation: Indicates door use when connected to a remote annunciator,

Insert switch assembly into the extrusion with the back of the angle bracket against the inside wall of the extrusion. Slide the switch assembly toward the device head until it's just in front of the push bar without making contact. Locate and secure REX assembly as illustrated.

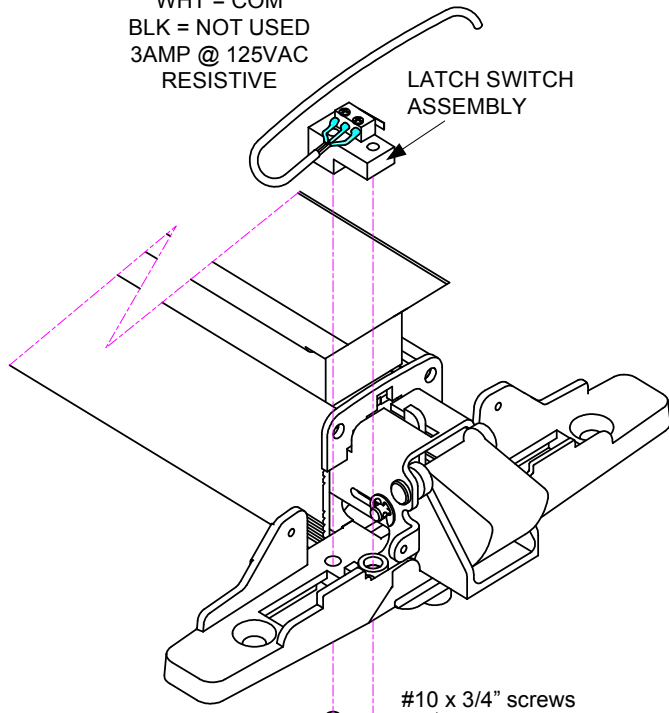
Any suggestions or comments to this instruction or product are welcome. Please contact us through our website or email engineer@sdsecurity.com

SDC Security Door Controls

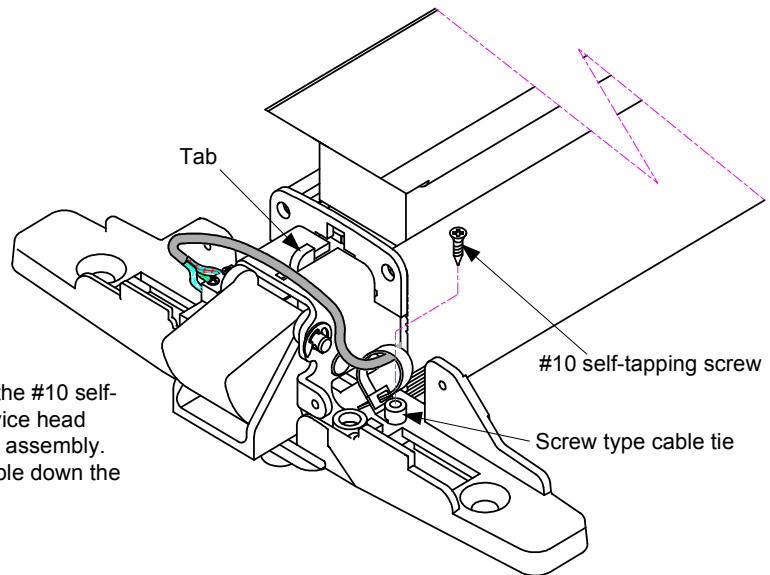
801 Avenida Acaso, Camarillo, Ca. 93012 • (805) 494-0622 •
 www.sdcsecurity.com • E-mail: service@sdsecurity.com

LRVD2L INSTALLATION INSTRUCTIONS LATCH STATUS SWITCH KIT VON DUPRIN 33 SERIES

RED = N/C
 GRN = N/O
 WHT = COM
 BLK = NOT USED
 3AMP @ 125VAC
 RESISTIVE



Attach Latch Switch assembly to 33 series device head with the two #10 x 3/4" screws provided.



Attach cable tie to the opposite side of the device with the #10 self-tapping screw provided. Carefully route cable over device head making sure NOT to impede the movement of the latch assembly. Secure cable in the cable tie and carefully route the cable down the inside wall of the extrusion.

Applications

Access Control REX: Provides an authorized request-to-exit signal to activate an access control REX input, shunting the access control alarm output.

Magnetic Lock REX: Releases lock for uninhibited egress when wired in series to lock power, or used to activate a time delay trigger input to release lock for egress.

Exit Alarm: May be used to activate an external alarm horn located adjacent to the opening.

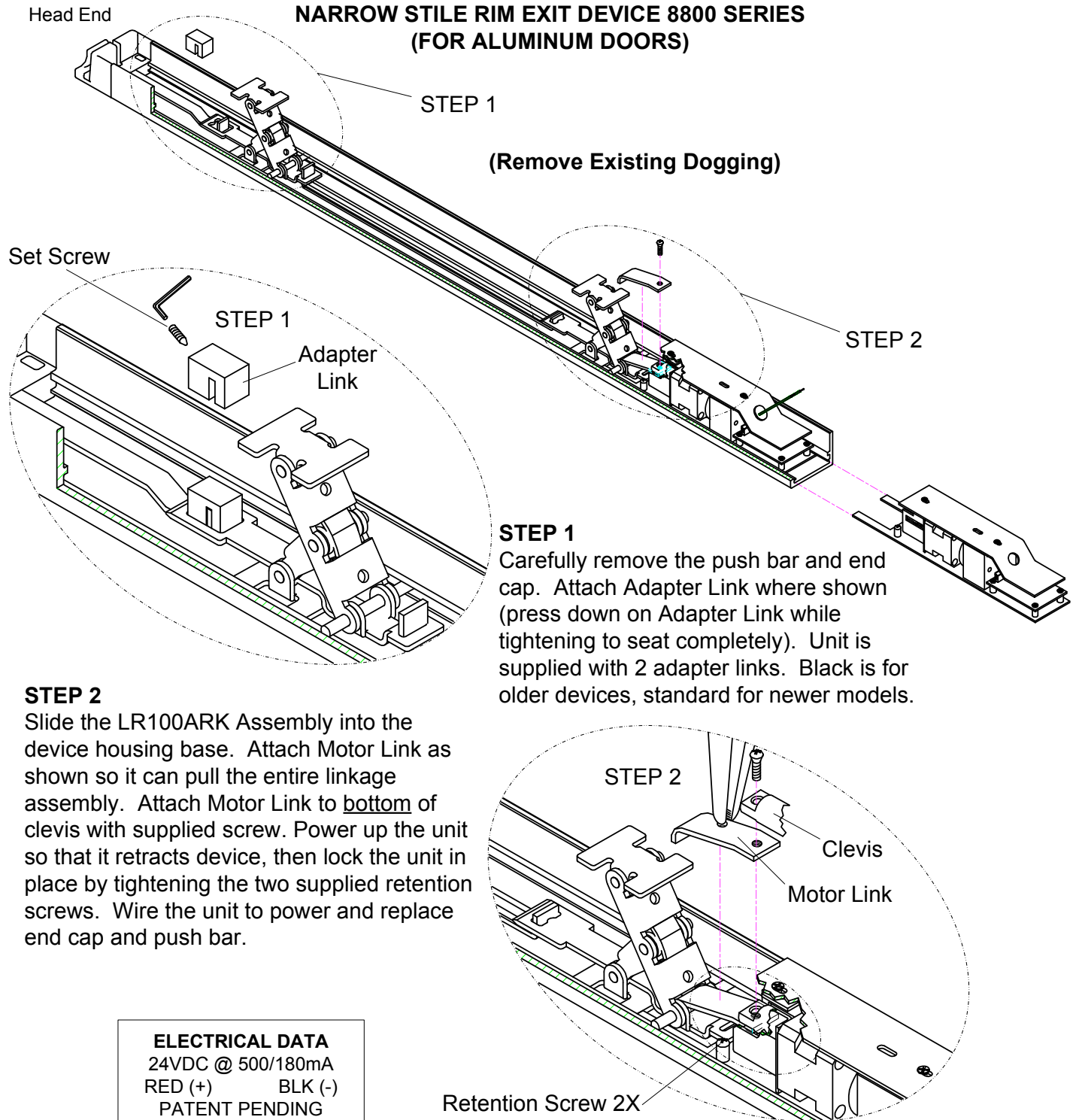
Remote Annunciation: Indicates door use when connected to a remote annunciator,

Any suggestions or comments to this instruction or product are welcome. Please contact us through our website or email engineer@sdsecurity.com

SDC Security Door Controls

801 Avenida Acaso, Camarillo, Ca. 93012 • (805) 494-0622 •
 www.sdcsecurity.com • E-mail: service@sdsecurity.com

INSTALLATION INSTRUCTIONS LR100ARK ADAMS RITE ELECTRIC LATCH RETRACTION DEVICE KIT NARROW STILE RIM EXIT DEVICE 8800 SERIES (FOR ALUMINUM DOORS)



STEP 1
 Carefully remove the push bar and end cap. Attach Adapter Link where shown (press down on Adapter Link while tightening to seat completely). Unit is supplied with 2 adapter links. Black is for older devices, standard for newer models.

STEP 2
 Slide the LR100ARK Assembly into the device housing base. Attach Motor Link as shown so it can pull the entire linkage assembly. Attach Motor Link to bottom of clevis with supplied screw. Power up the unit so that it retracts device, then lock the unit in place by tightening the two supplied retention screws. Wire the unit to power and replace end cap and push bar.

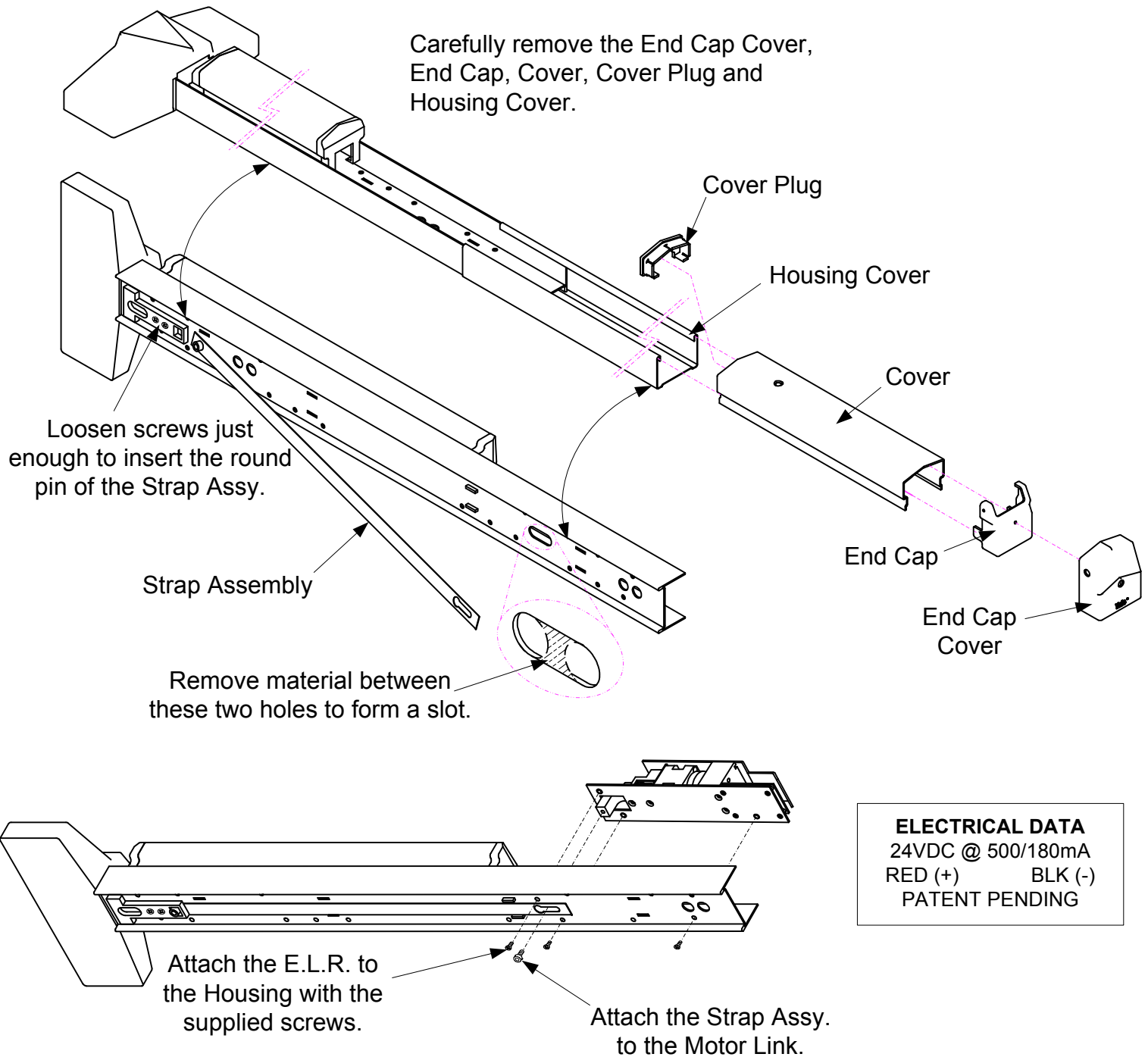
ELECTRICAL DATA
 24VDC @ 500/180mA
 RED (+) BLK (-)
 PATENT PENDING

Any suggestions or comments to this instruction or product are welcome. Please contact us through our website or email engineer@sdsecurity.com

SDC Security Door Controls

801 Avenida Acaso, Camarillo, Ca. 93012 • (805) 494-0622 •
www.sdcsecurity.com • E-mail: service@sdsecurity.com

INSTALLATION INSTRUCTIONS LR100YDK YALE ELECTRIC LATCH RETRACTION DEVICE KIT



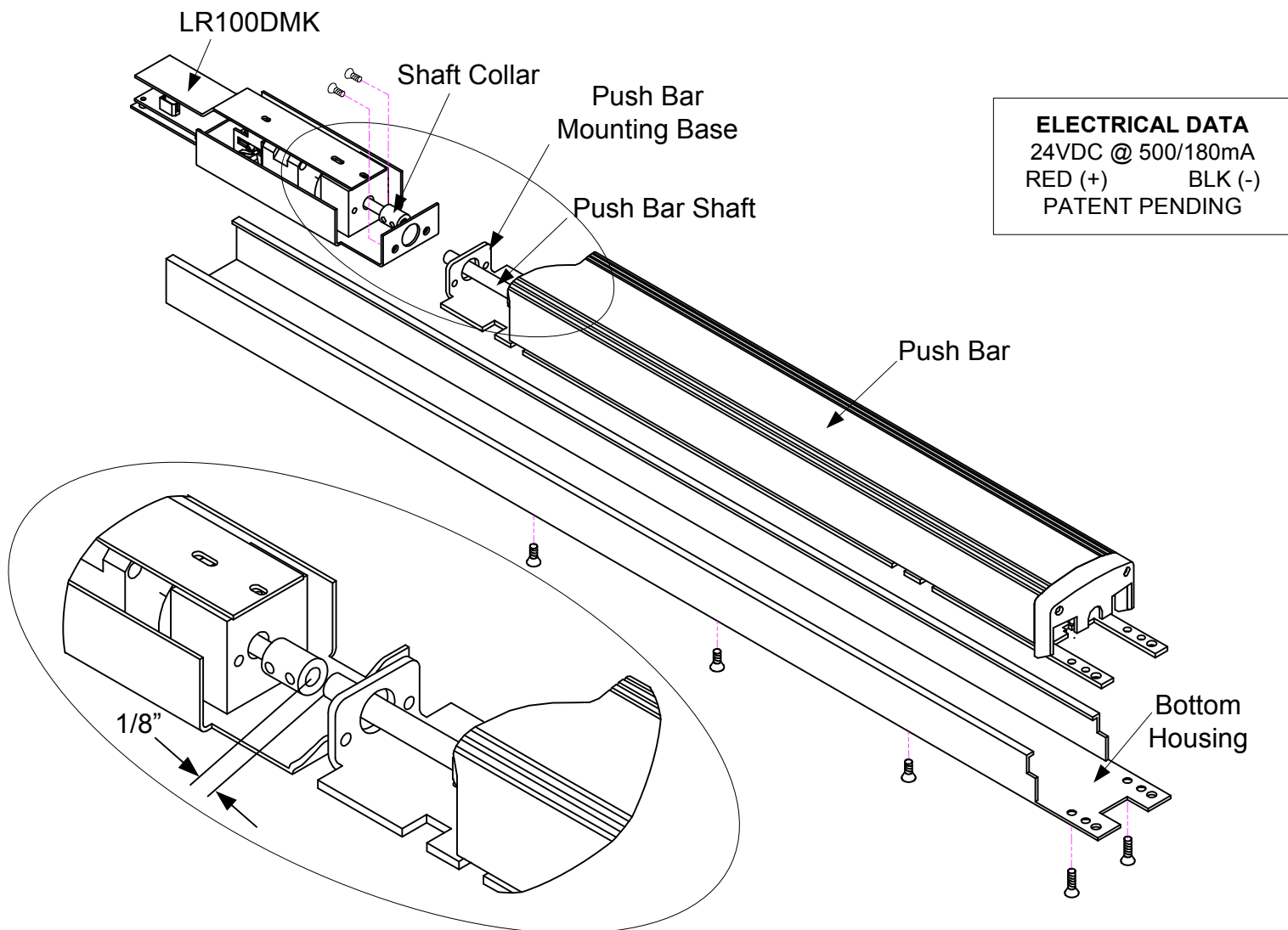
ELECTRICAL DATA
24VDC @ 500/180mA
RED (+) BLK (-)
PATENT PENDING

Any suggestions or comments to this instruction or product are welcome. Please contact us through our website or email engineer@sdsecurity.com

SDC Security Door Controls

801 Avenida Acaso, Camarillo, Ca. 93012 • (805) 494-0622 •
www.sdcsecurity.com • E-mail: service@sdsecurity.com

INSTALLATION INSTRUCTIONS LR100DMK DOR-O-MATIC ELECTRIC LATCH RETRACTION DEVICE KIT



Remove the five screws from the bottom of the device (3 along the center and two on the sides attaching the head).

Slide the bottom housing off of the Push Bar mounting base plate.

Attach the LR100DMK to the Push Bar mounting base plate where shown with the screws provided. Position the shaft collar on the LR100DMK so it's approximately 1/8" away from the Push Bar shaft. Tighten the shaft collar in place.

Slide the bottom housing back in place over the Push Bar mounting base plate and re-attach the five screws. Test the LR100DMK for proper function (Shaft Collar may need additional adjustment depending on the length of the Push Bar Shaft).

Run wires through the door and attach to power. Attach Push Bar assembly to the door.

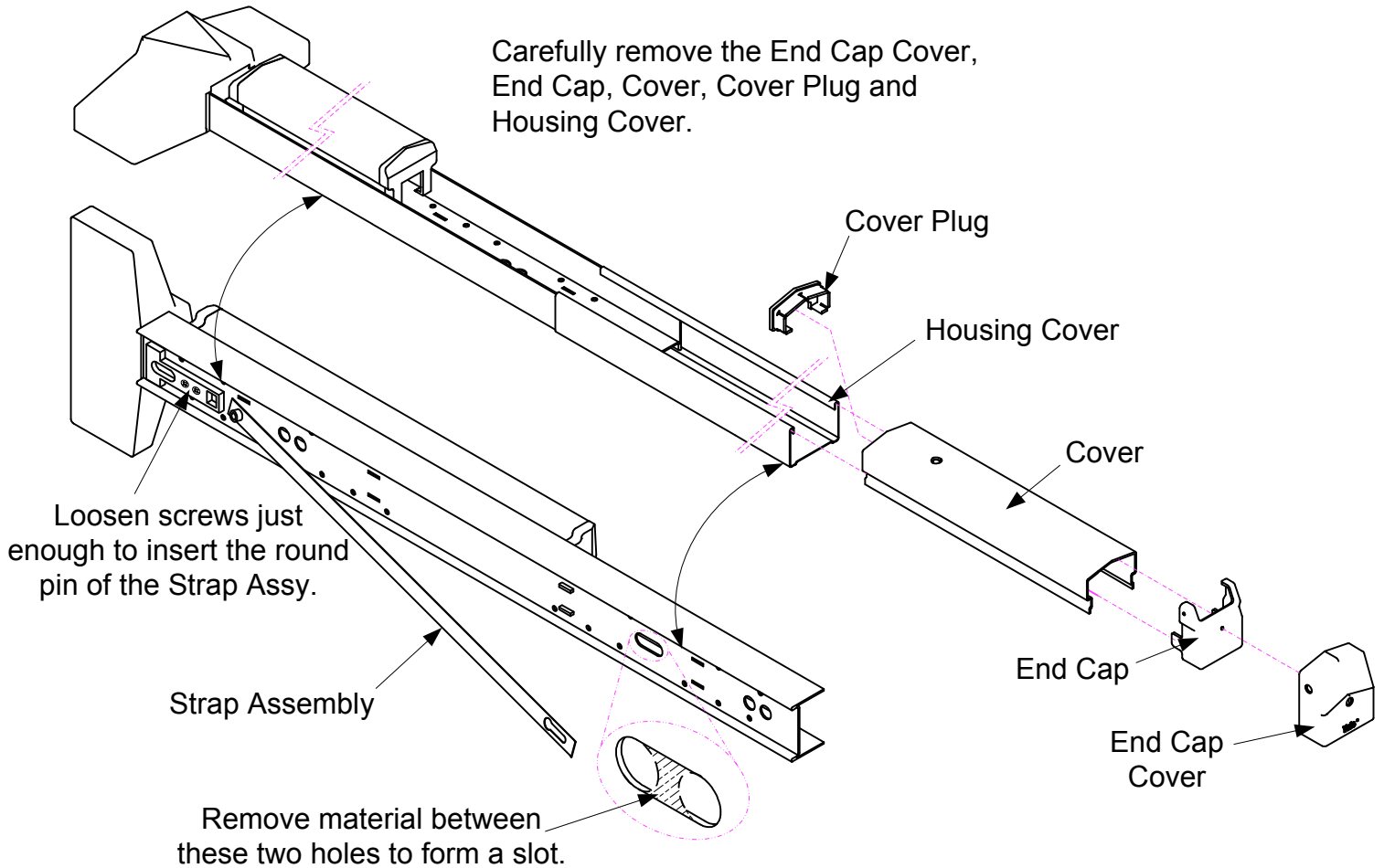
Any suggestions or comments to this instruction or product are welcome. Please contact us through our website or email engineer@sdsecurity.com

SDC Security Door Controls

801 Avenida Acaso, Camarillo, Ca. 93012 • (805) 494-0622 •
 www.sdcsecurity.com • E-mail: service@sdsecurity.com

INSTALLATION INSTRUCTIONS LR100CRK CORBIN/RUSSWIN ELECTRIC LATCH RETRACTION DEVICE KIT

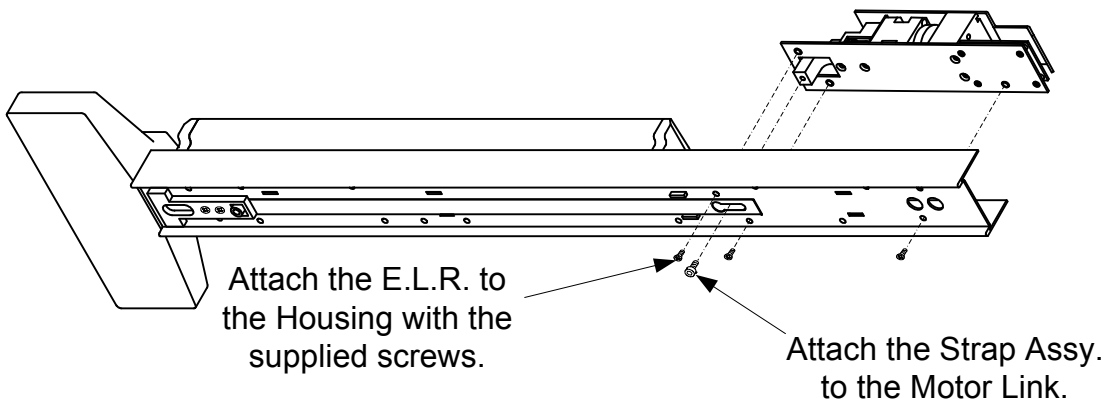
Carefully remove the End Cap Cover, End Cap, Cover, Cover Plug and Housing Cover.



Loosen screws just enough to insert the round pin of the Strap Assy.

Strap Assembly

Remove material between these two holes to form a slot.



Attach the E.L.R. to the Housing with the supplied screws.

Attach the Strap Assy. to the Motor Link.

ELECTRICAL DATA	
24VDC @ 500/180mA	
RED (+)	BLK (-)
PATENT PENDING	

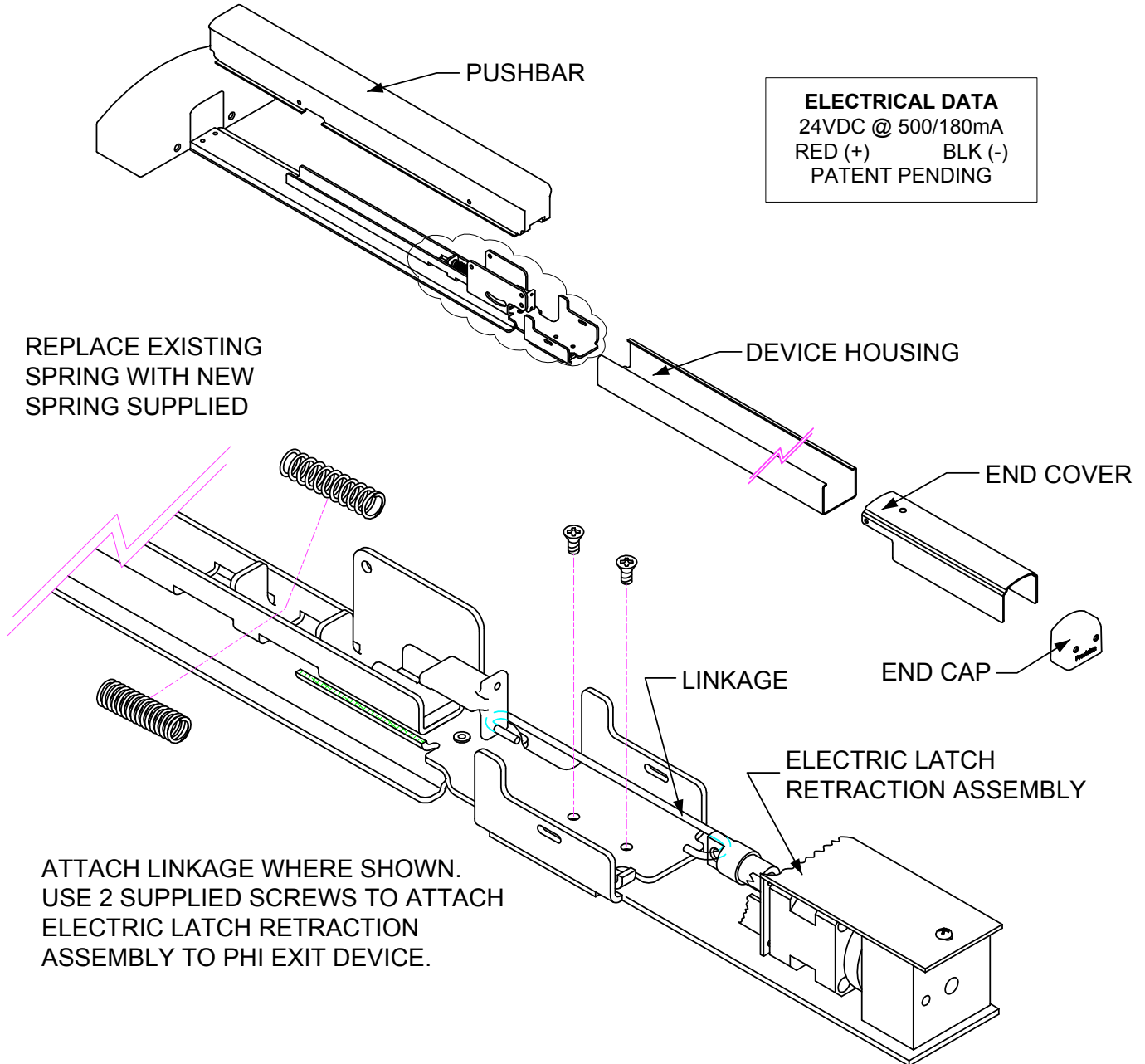
Any suggestions or comments to this instruction or product are welcome. Please contact us through our website or email engineer@sdsecurity.com

SDC Security Door Controls

801 Avenida Acaso, Camarillo, Ca. 93012 • (805) 494-0622 •
www.sdcsecurity.com • E-mail: service@sdsecurity.com

INSTALLATION INSTRUCTIONS LR100PDK ELECTRIC LATCH RETRACTION DEVICE KIT (PHI/STANLEY)

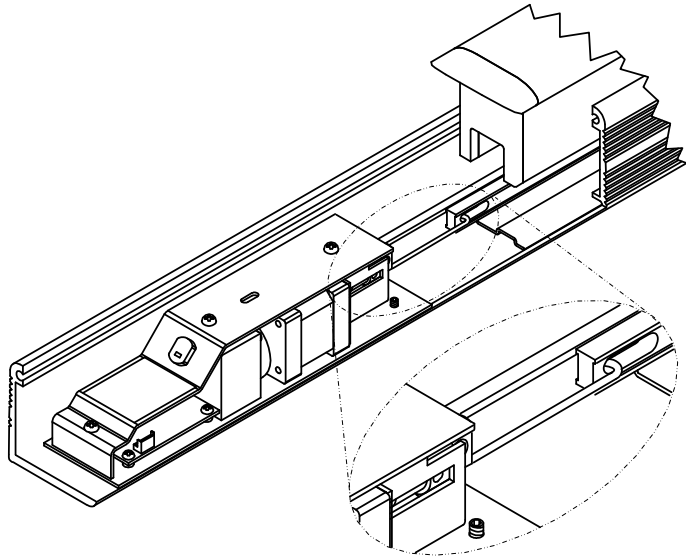
Carefully remove the End Cap, End Cover, Device Housing and Pushbar. If present in device, remove dogging. Replace existing spring with new SDC supplied spring. Attach L. R. Assembly to Exit Device.



SDC Security Door Controls

801 Avenida Acaso, Camarillo, Ca. 93012 • (805) 494-0622 •
www.sdcsecurity.com • E-mail: service@sdsecurity.com

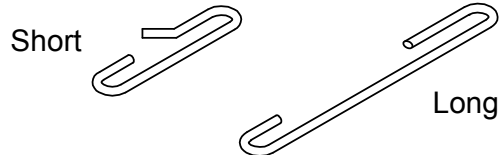
INSTALLATION INSTRUCTIONS LR100K2K (K2) ELECTRIC LATCH RETRACTION DEVICE KIT



ELECTRICAL DATA
24VDC @ 500/180mA
RED (+) BLK (-)
PATENT PENDING

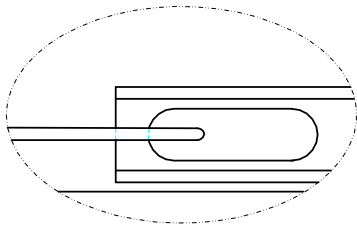
Step 1

Slide the Electric Latch Retraction assembly into device and attach the linkage to the latch retraction rod (short linkage for standard, long linkage for 4' device).

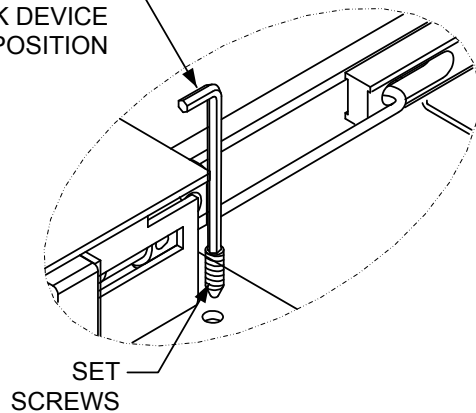


Step 2

Carefully slide the assembly back out until the linkage JUST makes contact with the latch retraction rod. Tighten set screws.



TIGHTEN SET
SCREWS TO
LOCK DEVICE
IN POSITION



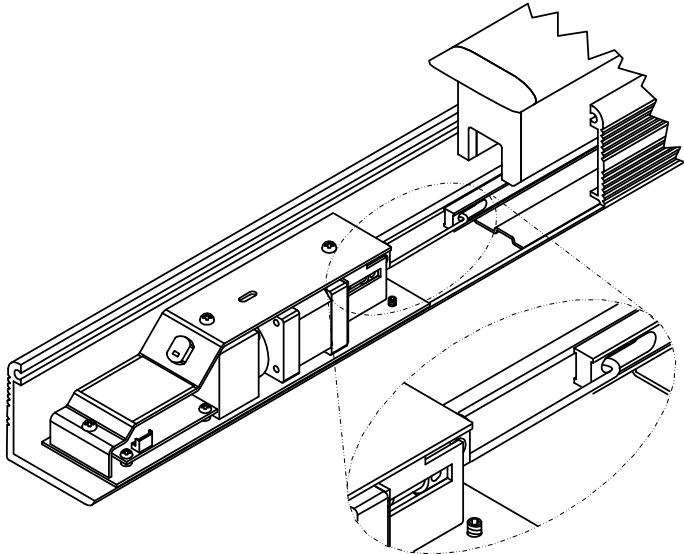
NOTE Retro-Fitting Vertical Rod Devices:

Before retro-fitting an electric latch assembly into a vertical device, the following must be done to ensure proper alignment. Disconnect the vertical rods from the device. Install the electric latch assembly as shown above. Once the ELR is properly installed energize it so that the push pad is dogged down, by doing so it will allow for proper alignment for the vertical rods. Finally reconnect the vertical rods to the device and make the proper adjustments.

SDC Security Door Controls

801 Avenida Acaso, Camarillo, Ca. 93012 • (805) 494-0622 •
www.sdcsecurity.com • E-mail: service@sdsecurity.com

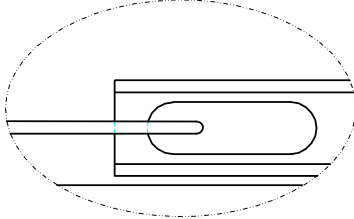
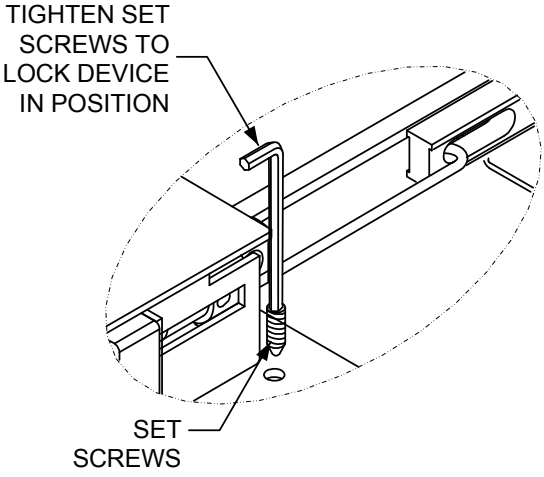
INSTALLATION INSTRUCTIONS LR100IDCK ELECTRIC LATCH RETRACTION DEVICE KIT



ELECTRICAL DATA
24VDC @ 500/180mA
RED (+) BLK (-)
PATENT PENDING

Step 1
Slide the Electric Latch Retraction assembly into device and attach the linkage to the latch retraction rod.

Step 2
Carefully slide the assembly back out until the linkage **JUST** makes contact with the latch retraction rod. Tighten set screws.

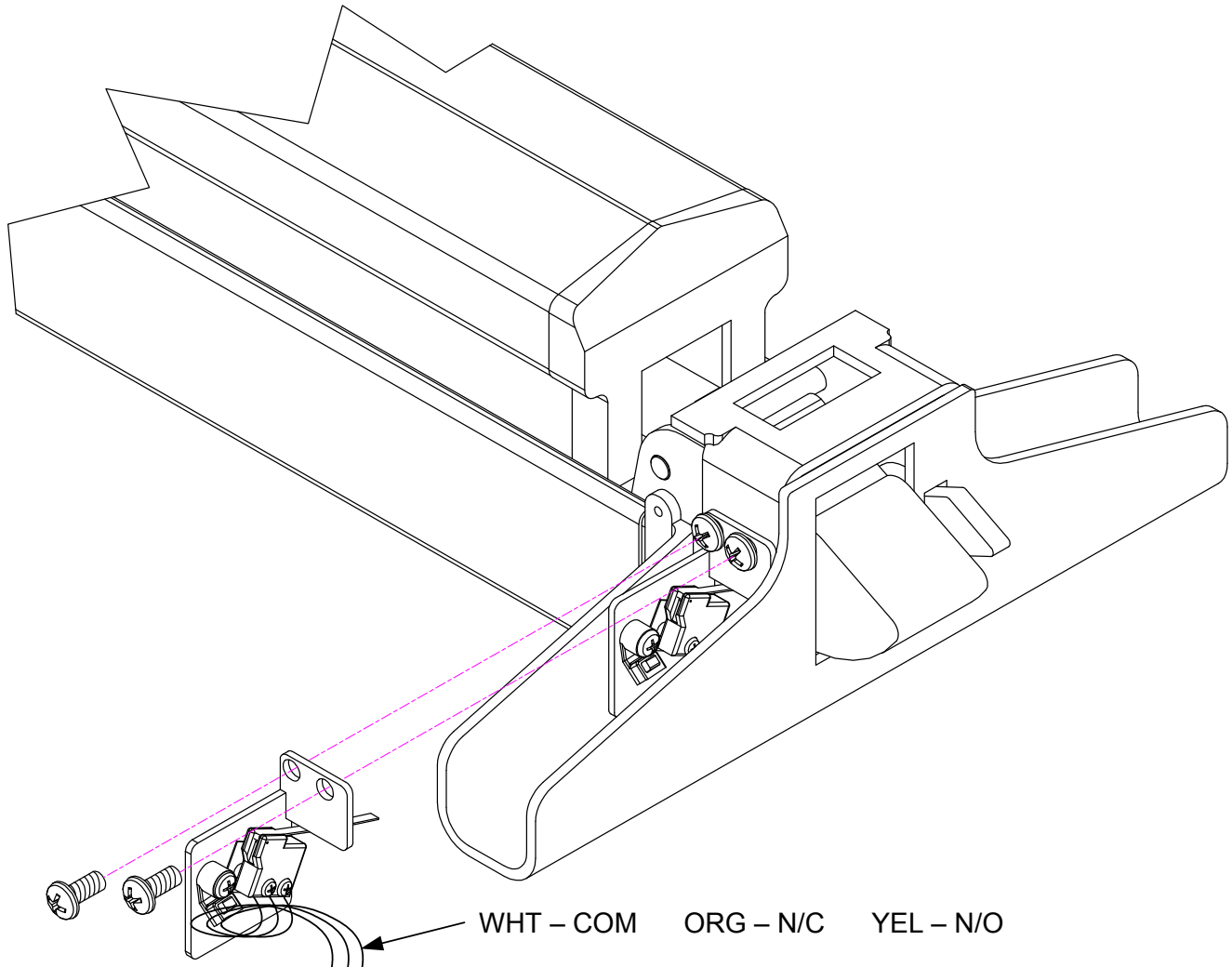


NOTE Retro-Fitting Vertical Rod Devices:
Before retro-fitting an electric latch assembly into a vertical device, the following must be done to ensure proper alignment. Disconnect the vertical rods from the device. Install the electric latch assembly as shown above. Once the ELR is properly installed energize it so that the push pad is dogged down, by doing so it will allow for proper alignment for the vertical rods. Finally reconnect the vertical rods to the device and make the proper adjustments.

SDC SECURITY DOOR CONTROLS

3580 Willow Lane, Westlake Village, CA 91361-4921 • (805) 494-0622 • Fax: (805) 494-8861
www.sdcsecurity.com • E-mail: service@sdsecurity.com

LRCRDIL INSTALLATION INSTRUCTIONS LATCH SWITCH KIT CORBIN/RUSSWIN EXIT DEVICES



Remove Head Cover. Remove and discard existing #8-32 screws.
Install Switch assembly where shown with screws supplied.
Re-attach Head Cover.

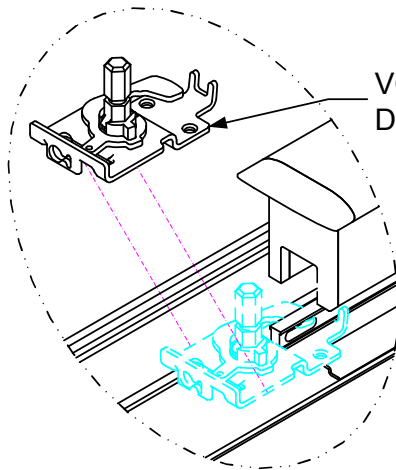
SDC Security Door Controls

801 Avenida Acaso, Camarillo, Ca. 93012 • (805) 494-0622 •
www.sdcsecurity.com • E-mail: service@sdsecurity.com

LR100VDK-22 INSTALLATION INSTRUCTIONS ELECTRIC LATCH RETRACTION DEVICE KIT (VON DUPRIN 22 SERIES)

Step 1

Remove Von Duprin installed mechanical dogging assembly.



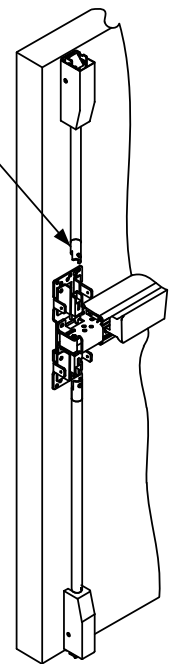
VON DUPRIN MECHANICAL DOGGING ASSEMBLY

ELECTRICAL DATA
24VDC @ 500/180mA
RED (+) BLK (-)
PATENT PENDING

Disconnect vertical rods from the Device head

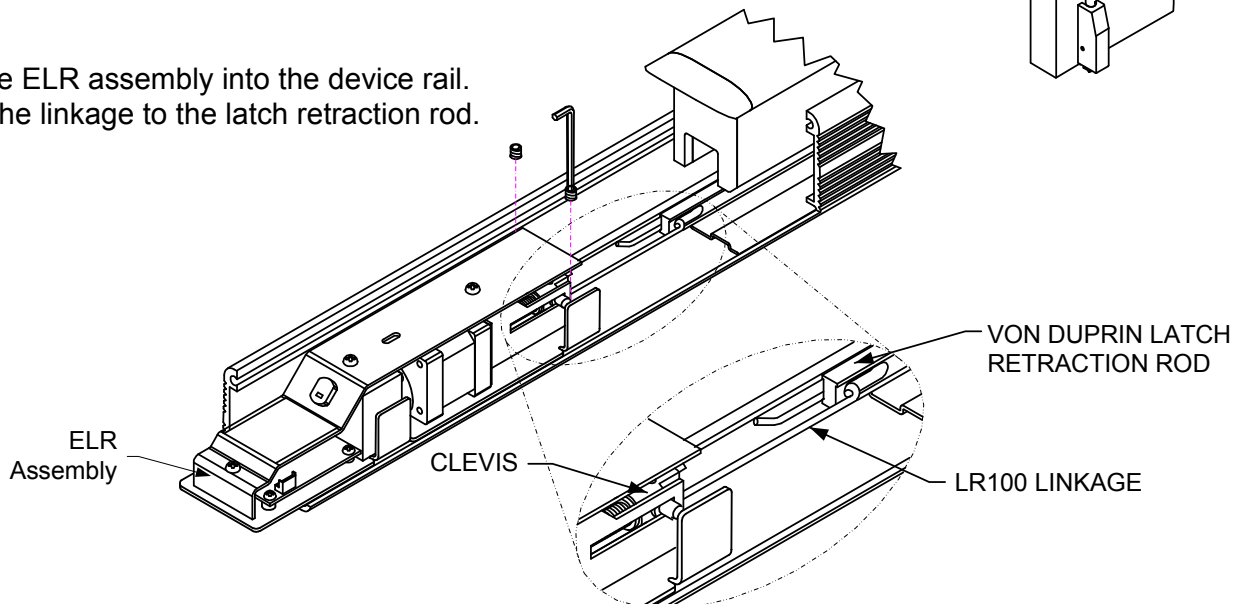
NOTE Retro-Fitting Vertical Rod Devices:

Before retro-fitting an electric latch assembly into a vertical device, the following must be done to ensure proper alignment. Disconnect the vertical rods from the device head. Install the electric latch assembly as shown above. Once the ELR is properly installed energize it so that the push pad is dogged down, by doing so it will allow for proper alignment for the vertical rods. Finally reconnect the vertical rods to the device and make the proper adjustments.



Step 2

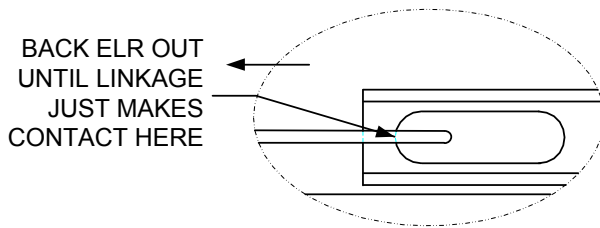
1. Slide the ELR assembly into the device rail.
2. Attach the linkage to the latch retraction rod.



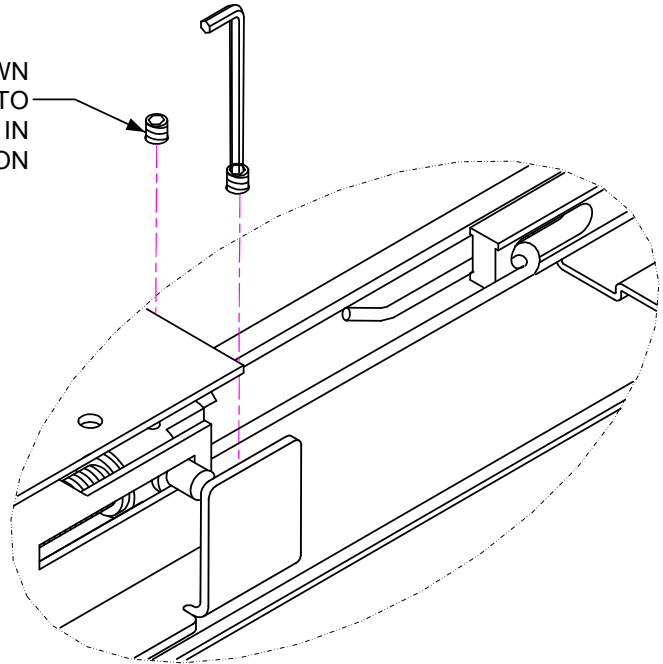
INSTRUCTIONS CONTINUED ON BACK OF PAGE

Step 3

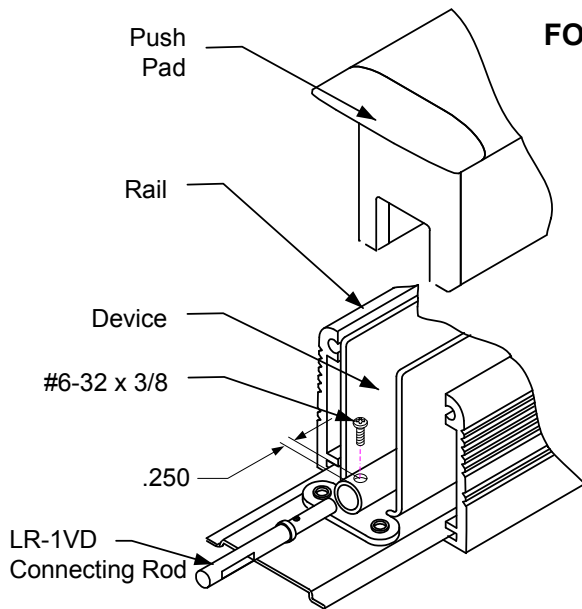
Carefully slide the ELR assembly back out until the linkage **JUST** makes contact with the latch retraction rod. Fasten down the 2 supplied set screws to secure the assembly to the device.



TIGHTEN DOWN SET SCREWS TO LOCK DEVICE IN POSITION



INSTALLATION INSTRUCTIONS LR-1VD CONNECTING ROD FOR USE ON VON DUPRIN DEVICES LESS DOGGING FEATURE



When retrofitting to existing vertical rod devices, adjustment of the rods are required for proper assembly of the LR100VDK Kit. Please see the SDC website (www.sdcsecurity.com) for installation tips and photographs of installing.

1. Remove the rail and push pad from the device
2. Drill a 5/32" (.156") diameter hole as shown in illustration.
3. Insert the connecting rod provided and fasten in screw