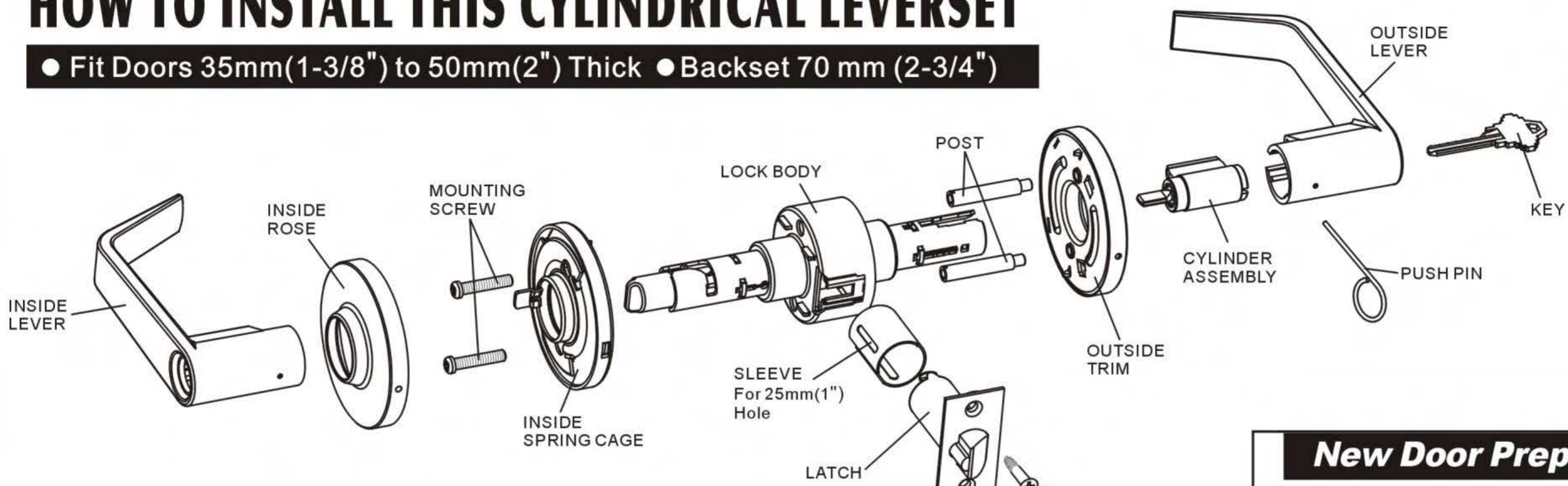
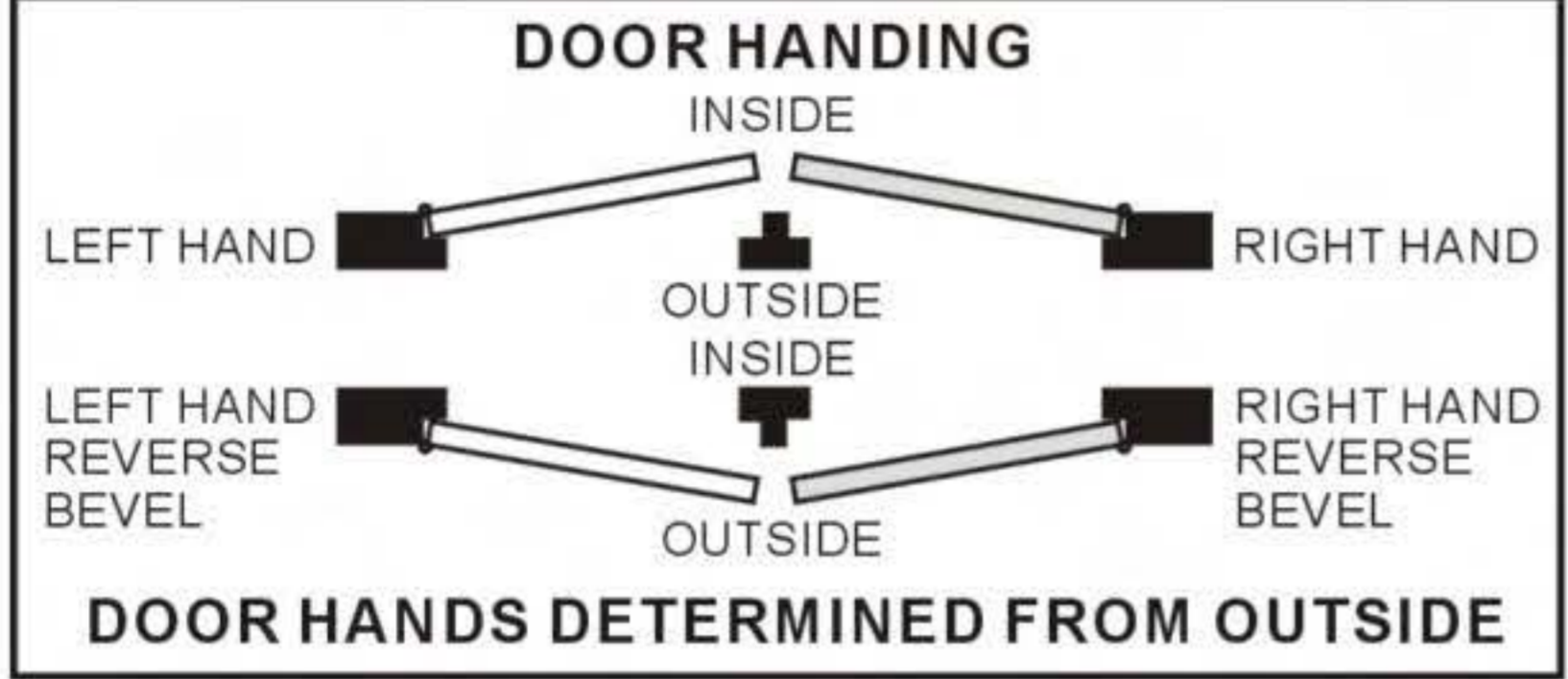


# HOW TO INSTALL THIS CYLINDRICAL LEVERSET

• Fit Doors 35mm (1-3/8") to 50mm (2") Thick • Backset 70 mm (2-3/4")



**Anti-sagging mechanism of handle. Patents are applied.**



### New Door Preparation

**A:** Fold template on edge of door mark site 70mm (2-3/4") of holes.

**B:** Drill a  $\varnothing 54$ mm (2-1/8") hole through door (from both sides to avoid damaging door).

**C:** Drill a  $\varnothing 25$ mm (1") hole in door edge.

**D:** Cut out a 58x29x3mm (2-9/32"x1-1/8"x1/8") base.

## 1 DISASSEMBLE INSIDE LEVER AND ROSE

**1A:** Insert push pin into hole in inside lever to depress catch.

**1B:** Remove the inside lever from spindle.

**1C:** Remove inside rose by turning and pulling off.

**1D:** Unscrew two mounting screws in lock body by screwdriver.

## 2 ADJUST OUTSIDE TRIM TO SUIT DOOR THICKNESS [ This lock is factory preset for 35mm (1-3/8") doors, if your door thickness is 35-38mm (1-3/8" ~ 1-7/8") , skip Step 2 and go to Step 3 directly. ]

**2A:** Turn key 75° clockwise, insert push pin into hole in outside lever to depress catch. Remove the outside lever.

**2B:** Unscrew two posts in lock body by screwdriver.

**2C:** Adjust outside trim according to the door thickness, make sure the lock body at both sides symmetrical.

**2D:** Screw two posts back so as to hold the outside rose tightly.

**2E:** Turn key 90° clockwise and push the lever into the maximum extent; rewind key.

## 3 INSTALL LEVERSET TO DOOR

**3A:** Insert latch unit and fix it with two wood screws.

**3B:** Place lock body into position. Make sure that latch prongs engage chassis housing, and slide engages latch tail.

**3C:** Install inside spring cage. Screws should be tightened to its full length.

**3D:** Fix the inside lever and check if the rotation is smooth. Adjust the radial clearance between inside spring cage and inside lever.

**3E:** Disassemble inside lever by push pin.

**3F:** Fix inside rose and make sure inside rose and inside spring cage are tightened.

**3G:** Slide lever onto spindle. Push lever completely into place. (Pull on lever to make sure that catch is fully engaged).

**IMPORTANT**  
If the door is thicker than 50mm, the catch will be covered by inside rose, do not install inside lever and lock.

## 4 INSTALL STRIKE

After door is closed, guardbolt is retracted.