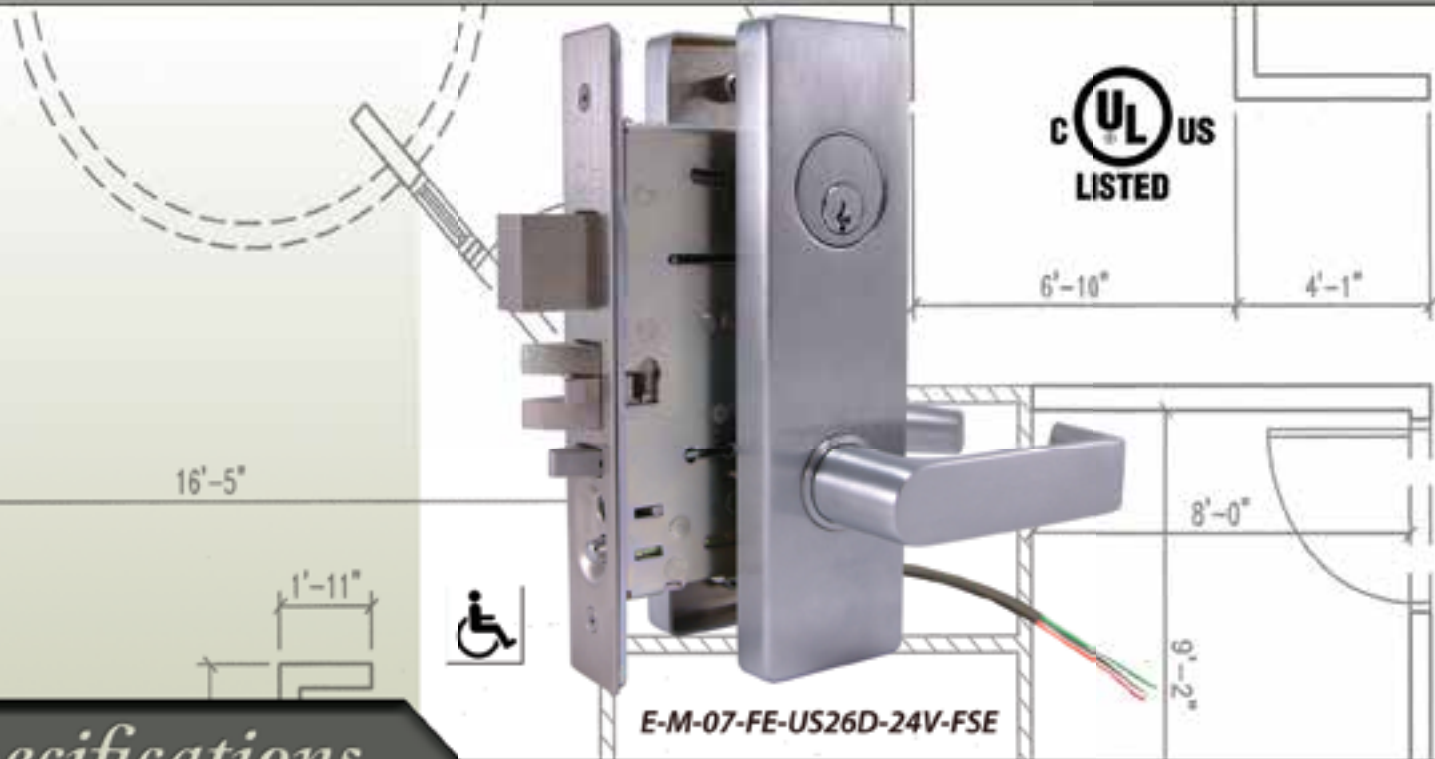


# E-M Series

Electrified Mortise Locks



## Specifications

The electrified mortise lock allows remote key access and egress control for standard commercial use applications where security and safety is critical. Common applications include computer rooms, meeting rooms, classrooms and interior doors.

**Operating Voltage :** 12 or 24VAC/DC (+ or - 10%)

**Amperage :** 612mA@12 / 330mA@24V

**Coil Resistance :** 12V = 20 ohms / 24V = 73 ohms

**Power Consumption :** 8 watts

**Features :** UL Listed

Continuous duty solenoids

Low current draw

**Options :** 12 or 24 Volt (AC/DC)

Fail Safe (Electrically Locked) or Fail Secure (Electrically Unlocked)

REX - Request to exit switch (REX)

LM - Latch Bolt Monitor

SM - Security Monitoring of Latchbolt and Solenoid

**Warranty :** Full 1 Year Warranty



211 Endeavor Drive - PO Box 680  
Rogersville, MO 65742  
PH 877-258-1262 FX 877-888-0150  
www.designhardware.net