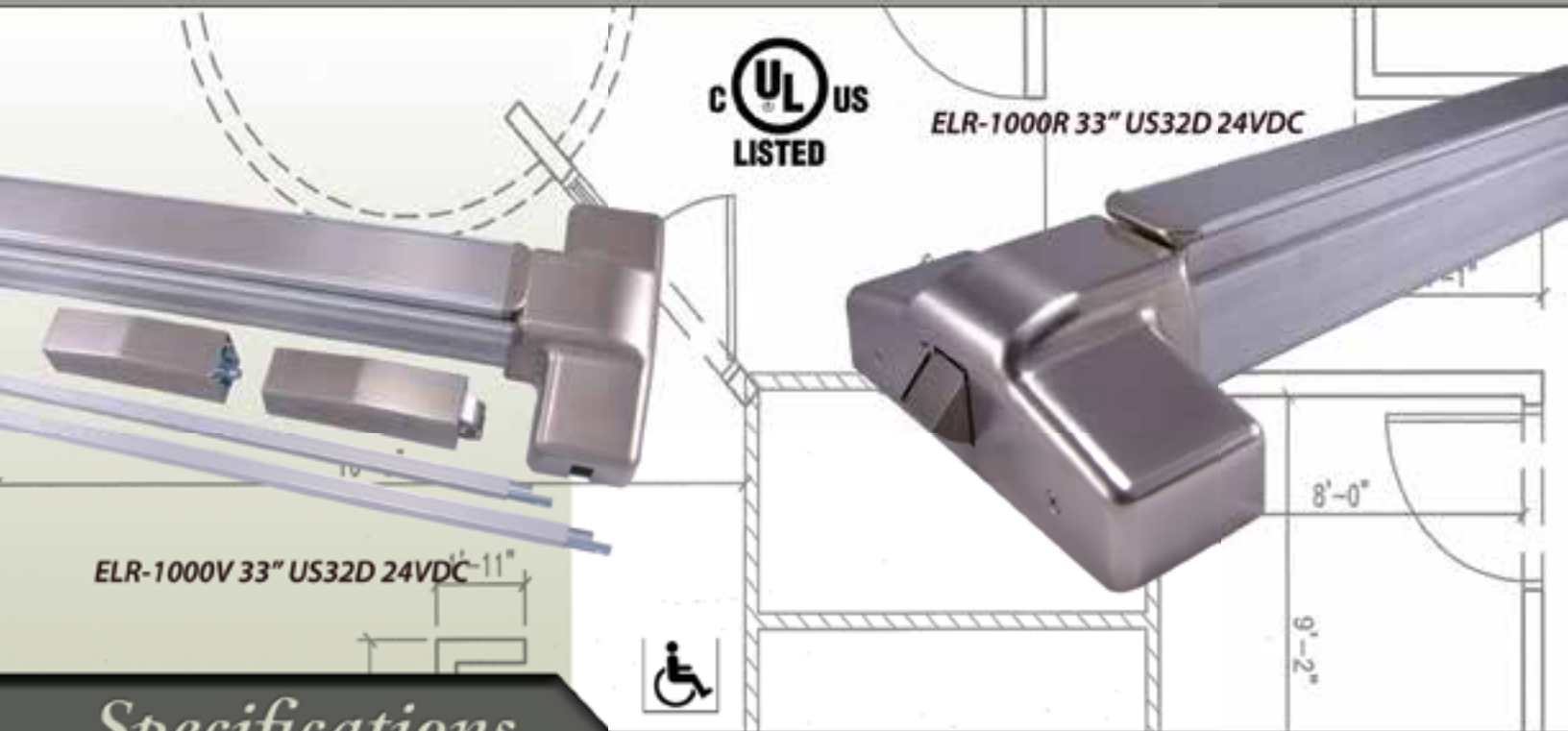


ELR-1000

Electrified Exit Devices



Specifications

ELR - Electric latch retraction/hold back exit devices allow for remote keyless access in high occupancy/high traffic conditions such as hospitals, airports, schools and churches. The device may be continuously energized allowing for a push/pull condition if desired.

- Operating Voltage :** 24VDC
Amperage : Surge current - 12A for 200ms@24V / Holding - 250 mA@24VDC
Features : UL Listed for both Panic and Fire Exit Hardware
Continuous duty solenoids retract the latch bolt for momentary or maintained periods of time
Options : ED - Electric Dogging option provides continuous latch retraction and dogging simultaneously and is also UL listed for Fire Exit Hardware
REX - Request to exit switch
LBM - Latch bolt monitoring
Warranty : Full 1 Year Warranty