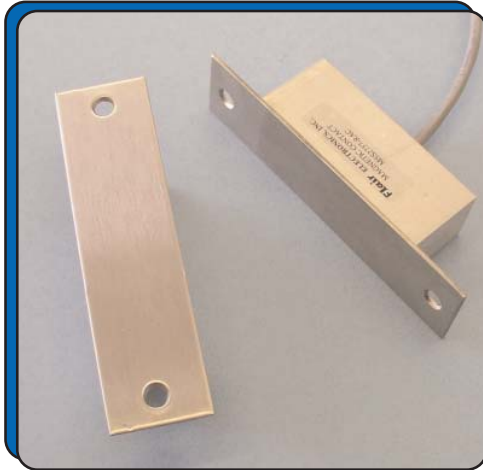
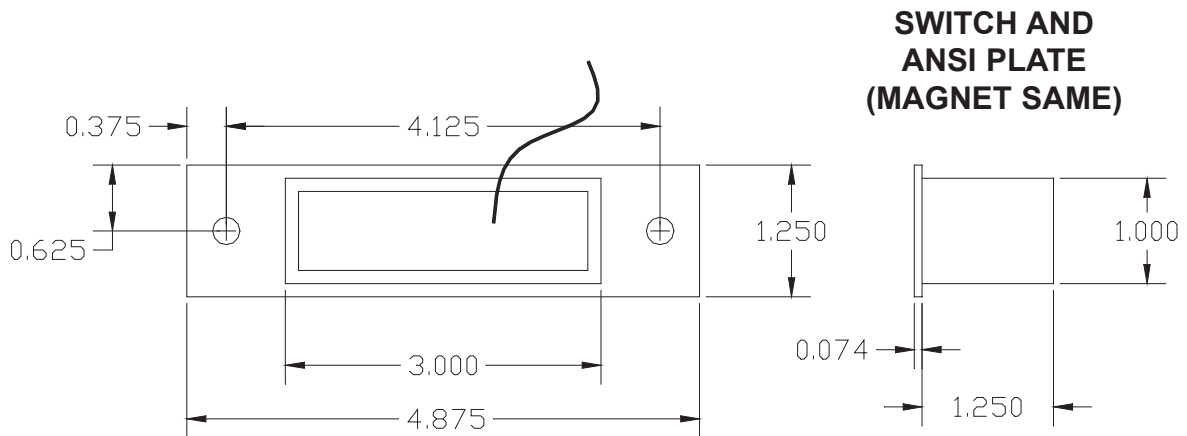


**RECESSED HIGH SECURITY
TRIPLE BIASED ANSI CONTACT
MSS2757-RAC**



FEATURES:

- * Three Biased Reeds
- * Gap 0" - 3/16"
- * Rare Earth Magnets
- * Tamper Loop Standard
- * SPDT Configuration
- * Attractive Grained Corrosion Resistant Stainless Steel ANSI Plate
- * 12" #22 AWG Wire Leads
- * Epoxy sealed switch for long life and maximum resistance to harsh environments



Part Number	Loop Type	Electrical Configuration	Gap (Inch)	Maximum Initial Contact Resistance (Ohm)	Maximum Contact Rating (W)	Maximum Switching Voltage (VDC/VAC)	Maximum Switching Current (A)
MSS2757-RAC	Open/Closed	SPDT	0" - 3/16"	.100	3	30	.200

WIRING GUIDE

SPDT CONTACT Common = Black
 Normally Closed = White
 Normally Open = Red

TAMPER LOOP Brown and Green