

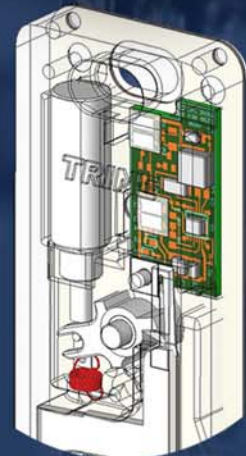
PICK A SIZE ... ANY SIZE

# THE NEW UNIVERSAL 4850

4 SIZES .. 1 BOX .. NO CUTTING



*Fits in Tight Installs like Glass.*



*Plug & Play  
12V through 24V DC  
Self Adjusting.  
Surge & Kickback  
Protection*

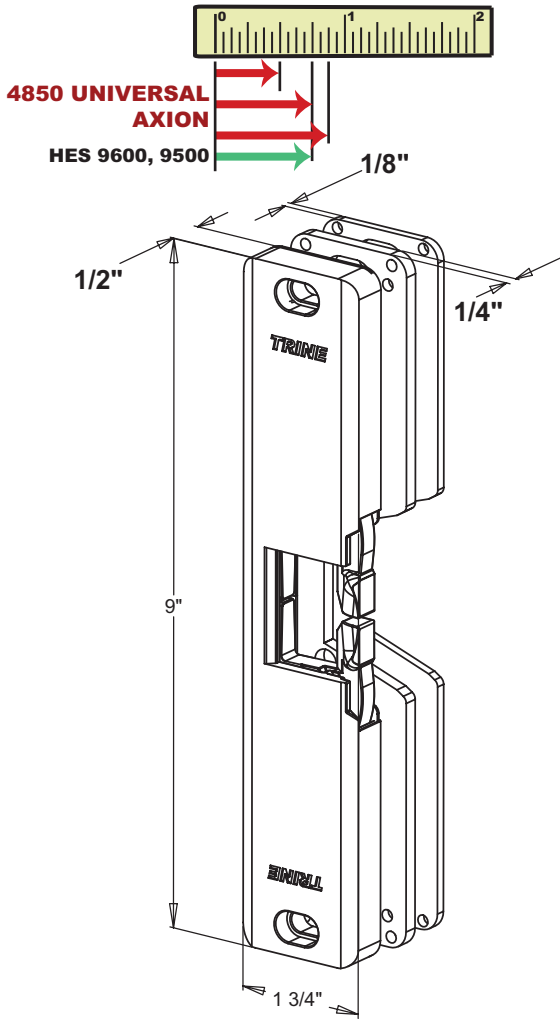


*Install Securely  
with 4 of our  
Patented Anchor Pins*

**AXION**  
PREMIUM ELECTRIC STRIKES

**TRINE**  
ACCESS TECHNOLOGY

## TOTAL THICKNESS COMPARISON



## DC ELECTRICAL CHARACTERISTICS

VOLTAGE	PULL IN/HOLDING CURRENT/AMPS	DUTY	SOUND
12VDC	0.500/0.178	Intm./Cont.	Silent
16VDC	0.385/0.131	Intm./Cont.	Silent
24VDC	0.255/0.084	Intm./Cont.	Silent

UNIT WILL AUTOMATICALLY WORK WITH 11V THROUGH 30V DC WHILE PROVIDING SURGE AND KICKBACK PROTECTION...

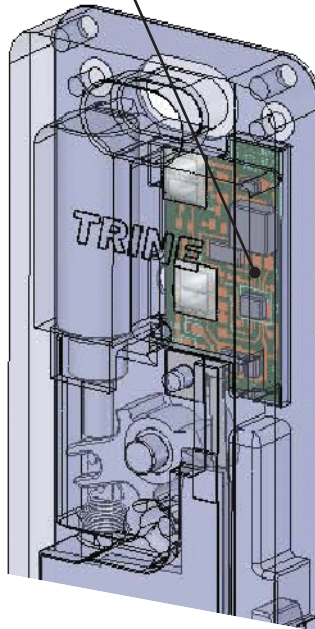
### AVAILABLE IN THESE FOLLOWING FINISHES...

- 32D - SATIN STAINLESS STEEL
- 10B - DARK BRONZE

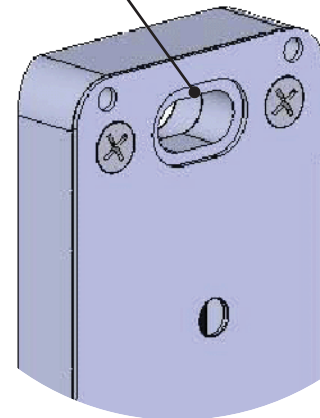
### LIST PRICE:

- 4850-32D.....\$535.00
- 4850-10B.....\$595.00

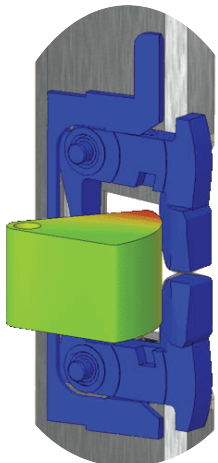
### SMART ELECTRONICS FOR PLUG & PLAY HOOK-UP



CLEARANCE FOR A 7/16 DIA. HEAD OF A BLIND THREADED INSERT WITH A #1/4-20 THREAD FOR ALUMINUM FRAME APPLICATIONS.

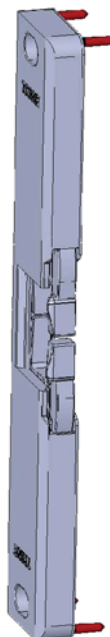


### PATENTED GRADE 1 LOCKING MECHANISM



SIMPLE, STRONG AND VERY DURABLE!

### PATENTED 4 POINT ANCHORING SYSTEM



UP TO 6 POINTS OF ATTACHMENTS FOR MAXIMUM SECURITY

### VIEW FROM BACK OF FRAME

