

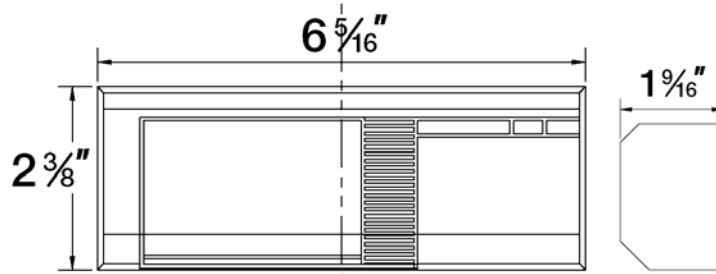
The TA-3200 Request-to-Exit Motion Sensor is designed with dual pyroelectric sensors for increased stability against external light. The sensor adjusts straight downwards, blanketing the doorway to angles of 35° in front of the door. The detection area of the sensor is adaptable to cover a single door or double doors. Output relay hold times are adjustable from 0.25 to 60 seconds. Heavy-duty output relays can drive up to 1 amp of current for controlling door strikes and magnetic locks. Fail safe – Fail secure operation is available via dip switches.



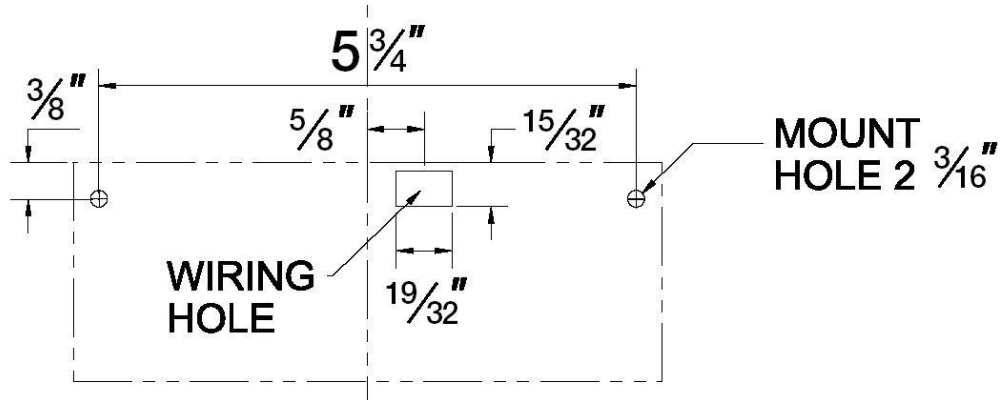
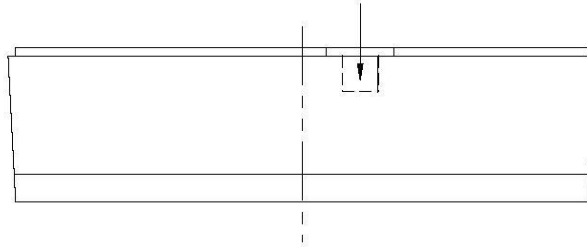
The TA-3200 Request-To-Exit Motion Sensor is designed for applications involving coverage at the threshold of a doorway. They can be combined with a card access system to shunt out the alarm system. Varied field selectable options make it a compatible choice for door strike release and alarm system shunting.

Specifications

- Detection System: Passive Infrared
- Detection Area: Mounting Height: 13' (4m) Max
Pattern: Single or Double (Selectable)
Adjustment Range: Wall mount vertically 35°
Overhead mount vertically 20°
Sensitivity: Adjustable
- Input Power: 12 – 24 VDC (Non-polarity)
12 – 24 VAC (50Hz/60Hz)
- Power consumption: 40mA DC, 70mA AC
- Output: Dry Contact Relay 2 Form C
Operation: One shot
Hold Time: Adjustable Approximately 0.25 – 60 sec
Contact Capacity: 30VDC 1A max / 125VAC 0.6A
- LED: Green Operation: Synchronous Dry Contact
- Wiring Connections: Terminal
- Ambient Temperature Range: -10°C to +50°C (+14°F to +122°F)
- Mounting Position (Indoor): Wall, ceiling, on or under frame
- Weight: 170 g (5.95 oz)
- Appearance: Cover – White ABS Resin, Window – White PS Resin
- Accessories: Tapping screws, 1 Piece
Resistor (82W, 3W), 1 Piece
Cover Locking Screw, 1 Piece



WIRING HOLE 3/8"
(KNOCKOUT)



Warranty: One year against defects in material and workmanship when installed according to Thomas Access Control Systems installation instructions. See complete warranty statement for further details.

Disclaimer: Specifications subject to change without notice. Thomas Access Control Systems reserves the right to make changes to improve performance without impacting form, fit or function.