

HOOKBOLT



TD1820

BOLT

- 5/8" x 1-3/8" x 13/16" throw
- Five ply laminated steel

BACKSET

- 1-1/2", 1-1/8", or 31/32" available
- Case is zinc plated for corrosion resistance
- Complete with machine screws for mounting in aluminum stile doors

OPERATION

- One complete turn of key or thumbturn operates the hookbolt
- Key cannot be removed unless bolt is in fully locked or unlocked position

FACEPLATES

- 628 (Silver) or 313 (Dark Bronze)

FHL-FLAT

HOOKLOCK FACEPLATE FLAT

TD1820 ANSI

BOLT

- 5/8" x 1-3/8" x 13/16" throw
- Five ply laminated steel

BACKSET

- 1-1/2"
- Case is zinc plated for corrosion resistance
- Complete with machine screws for mounting in aluminum stile doors

OPERATION

- One complete turn of key or thumbturn operates the hookbolt
- Key cannot be removed unless bolt is in fully locked or unlocked position

FACEPLATES

- 1 1/4" x 8" ANSI 86 Edge standard size
- Square corner
- 628 (Silver)

FHL-ANSIFLT628

ANSI HOOKLOCK FACEPLATE FLAT



THOMAS

Architectural Hardware

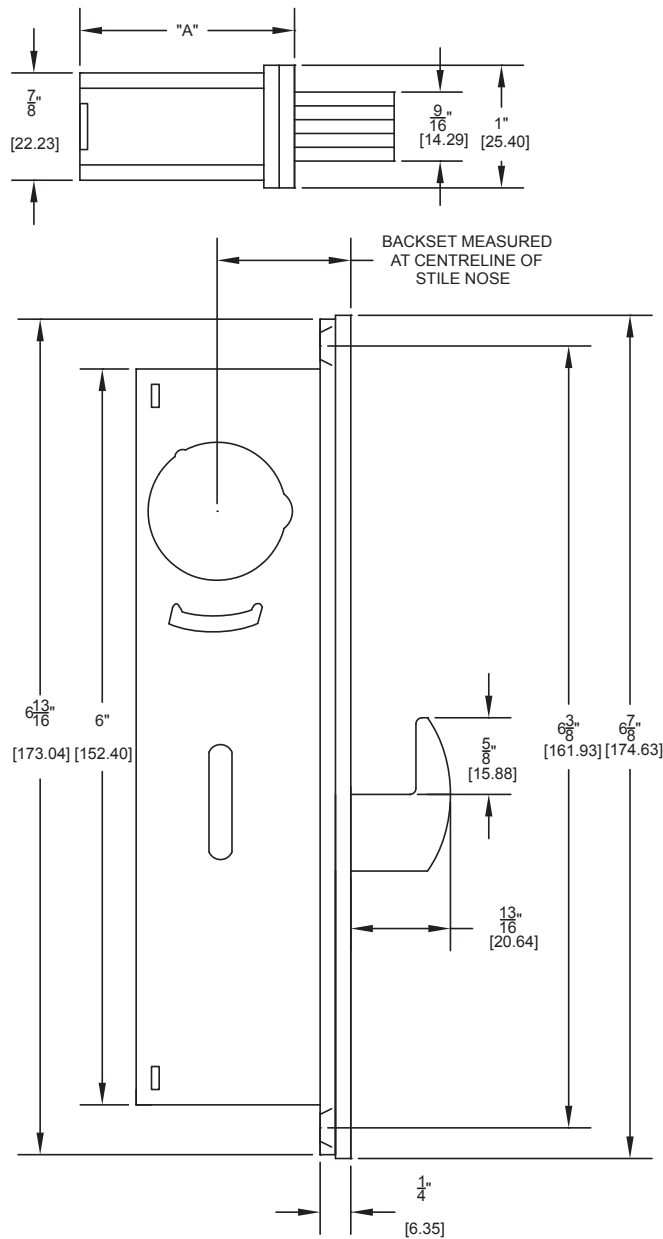
www.kmthomas.com

HOOKBOLT

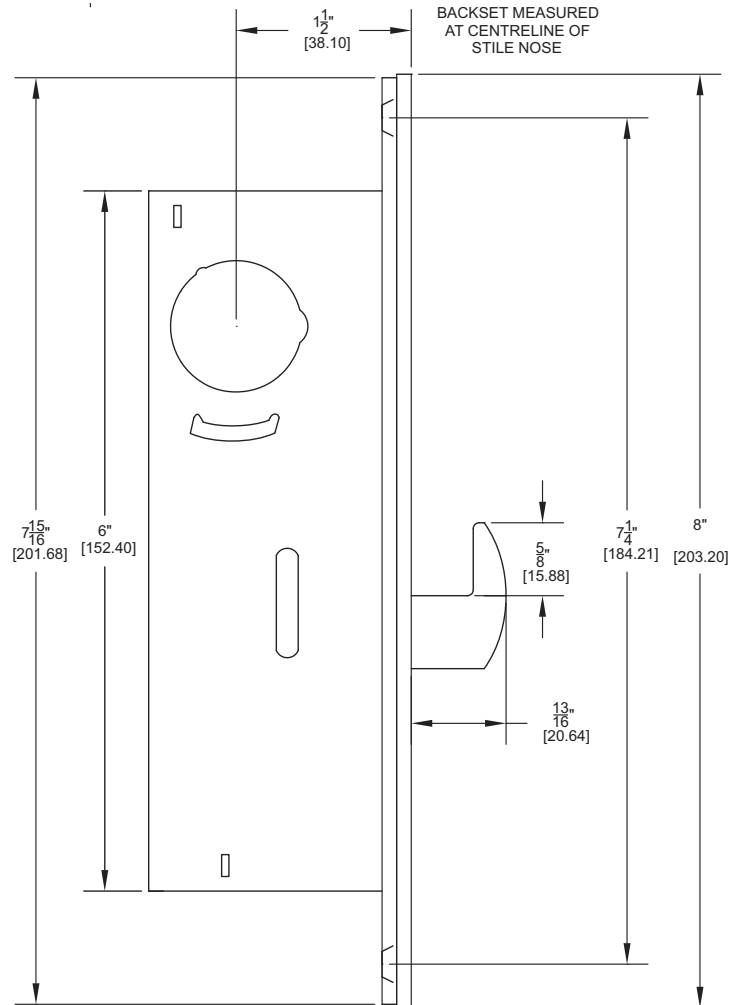
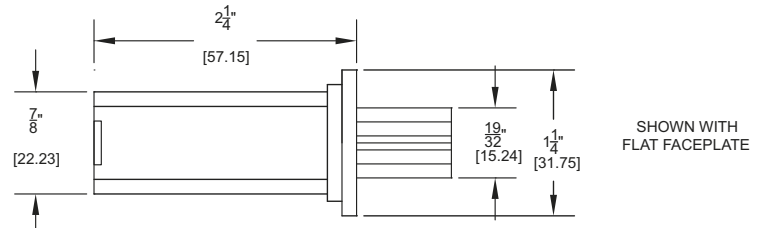
TD1820/TD1820 ANSI

DIMENSIONS

BACKSET	"A"
$\frac{31}{32}$ " [24.6]	1.60" [40.6]
$1\frac{1}{8}$ " [28.6]	1.76" [44.7]



TD1820



TD1820 ANSI