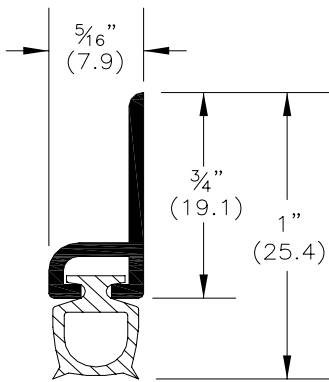


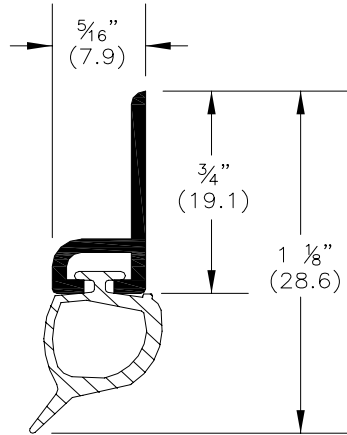
THOMAS Door Gasketing



4440

Mill Finish
Vinyl Insert
Tek Screws

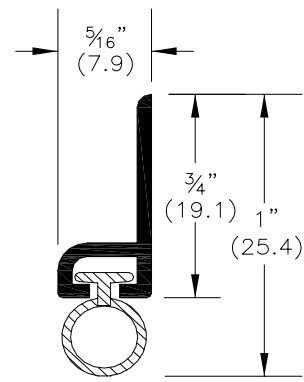
Size:
17 ft. set
20 ft. set



4441

Mill Finish
Vinyl Insert
Tek Screws

Size:
17 ft. set
20 ft. set

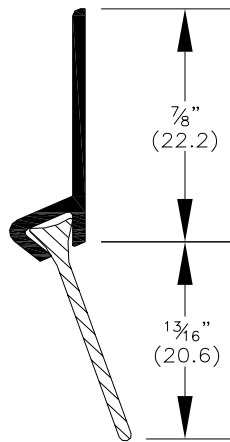


4442

Mill Finish
Santoprene Insert
Tek Screws

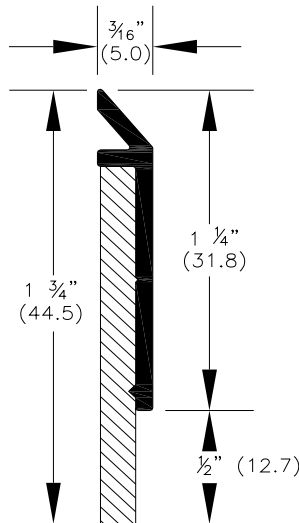
Size:
17 ft. set
20 ft. set

THOMAS Door Sweeps



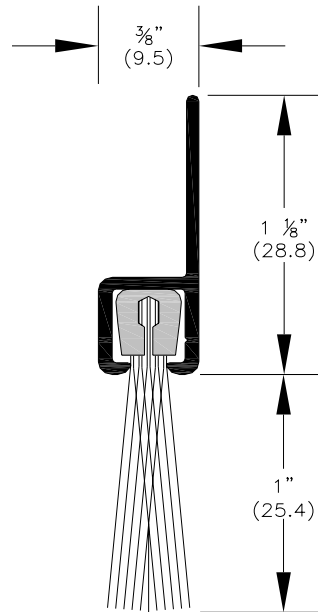
4460
Mill Finish
Vinyl Insert
Tek Screws

Size:
3 ft.
4 ft.



2100S
Clear Anodized
Solid Neoprene
Tek Screws

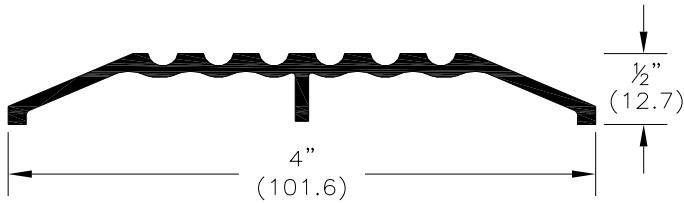
Size:
3 ft.
4 ft.



4480S
Clear Anodized
Black Nylon
Tek Screws

Size:
3 ft.
4 ft.

THOMAS Thresholds



4424

Size:

3 ft.

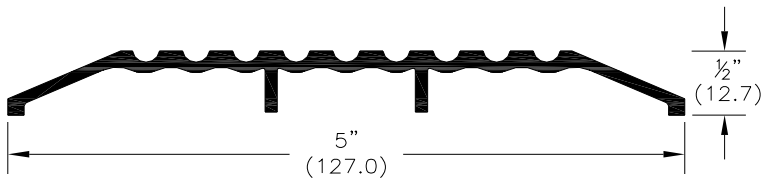
4 ft.

6 ft.

Special Cut Size:

6 ft. to 12 ft.

No holes drilled and no screws



4425

Size:

3 ft.

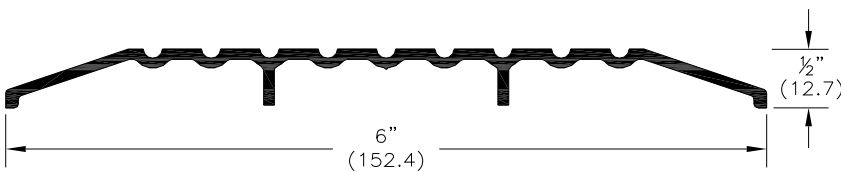
4 ft.

6 ft.

Special Cut Size:

6 ft. to 12 ft.

No holes drilled and no screws



4426

Size:

3 ft.

4 ft.

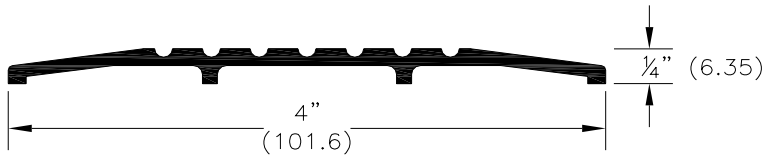
6 ft.

Special Cut Size:

6 ft. to 12 ft.

No holes drilled and no screws

THOMAS Low Profile Thresholds



4424LP

Size:

3 ft.

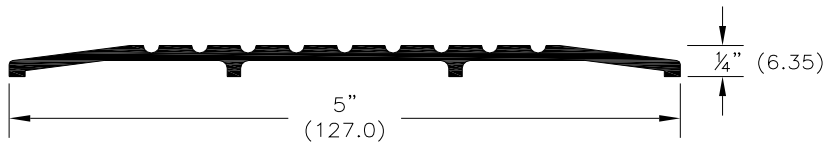
4 ft.

6 ft.

Special Cut Size:

6 ft. to 12 ft.

No holes drilled and no screws



4425LP

Size:

3 ft.

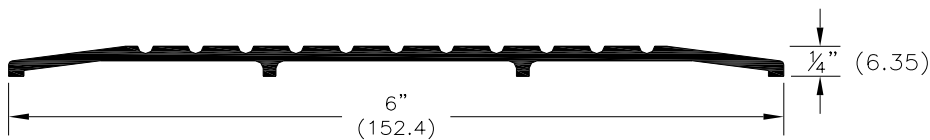
4 ft.

6 ft.

Special Cut Size:

6 ft. to 12 ft.

No holes drilled and no screws



4426LP

Size:

3 ft.

4 ft.

6 ft.

Special Cut Size:

6 ft. to 12 ft.

No holes drilled and no screws
