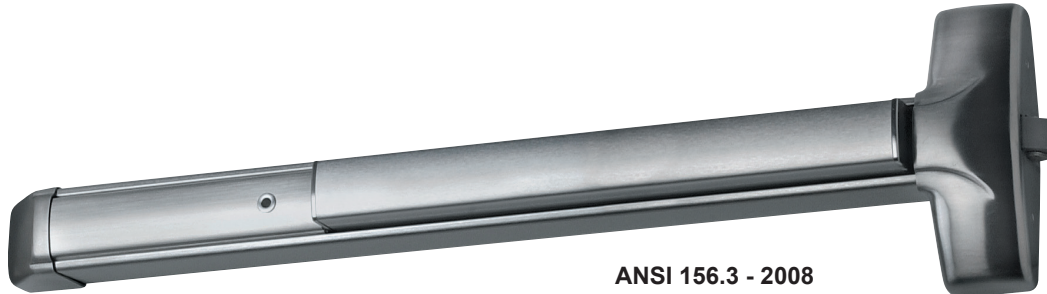




## 10 SERIES

### Rim Exit Device

The 10 Series **rim exit device** is super-heavy-duty panic and **fire exit hardware** for use on all types of single and double doors with mullions. The patented mounting plate and strike locator system ensures the easiest and most accurate installation of panic hardware available.



ANSI 156.3 - 2008  
Grade 1  
Type 1

#### Benefits

- Tough and durable design for years of trouble-free service in high-use, high-abuse environments
- Fast and accurate installation
- Minimal door prep saves time and money
- Outside trims are easily changed or re-keyed without removing device from door

#### Features

- Patented mounting plate and strike locator system replaces paper templates
- Tested beyond 1,000,000 cycles - Twice the cycling required for Grade 1 UL testing
- Heavy-duty angled end-cap deflects damage away from device
- Stainless steel deadlocking, Pullman-type latch bolt
- All exposed surfaces are finished over stainless steel with PVD, an environmentally-friendly finishing process
- Non-handed
- Field sizeable
- 1/8 turn hex or cylinder dogging

#### Mechanical Options

- F - 3-Hour Fire Rated
- H - Hurricane Rated
- AM - Anti-Microbial Coating
- BP-3 Mounting plate (call factory for retrofit information)
- BP-5 Mounting Plate (call factory for retrofit information)
- SLR - Silencer
- CD - Cylinder Dogging
- HD - Hex Dogging (Std.)
- LD - Less Dogging
- EC1, EC2 - See Advantex 10xW
- 99 - Surface Strike (Std.)
- 98 - Semi Mortise Strike
- 36 - Fits 36" Door Width (Std.)
- 48 - Fits 48" Door Width

#### Electrical Options

- Exit Alarm (EA)
  - Electric Dogging (ED)
  - Electric Integration (EI)
  - Electric Latch Retraction (ER)
  - Delayed Egress - Self Contained (EE)
  - Delayed Egress with Latch Retraction (EEExER)
  - Delayed Egress - Mag Lock (EM)
  - Electric Unlock (EU)
  - Latch Bolt Signaling (LX)
  - Latch Bolt Signaling for High Voltage (LXV)
  - Electric Switching (ES)
  - Request to Exit (EX)
  - Request to Exit for High Voltage (EXV)
  - Request to Exit Weatherized (EXxW)
  - Request to Exit Weatherized for High Voltage (EXVxW)
- Refer to Electrified Options section for more information

## Accessories

- GB1 - Glass Bead Kit
- SN1 - Sex Nut Kit (2 per package)
- SSK - Security Torx Screw Kit
- Trim Functions (see Outside Trims)
- Electrified Options (see Electrified Options)

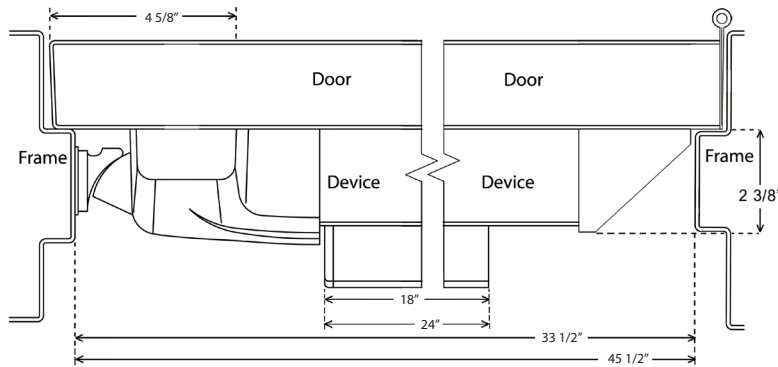
## Technical Information

- Door Types - Wood, Hollow Metal, Fiberglass or Aluminum
- Door Thickness - Fits standard 1-3/4" - 2-1/4" doors (for other door thicknesses contact factory)
- Minimum Stile - 4-5/8" with standard 99 strike; 4-1/8" with optional 98 strike
- Fasteners - Machine and Self-Drilling Screws standard

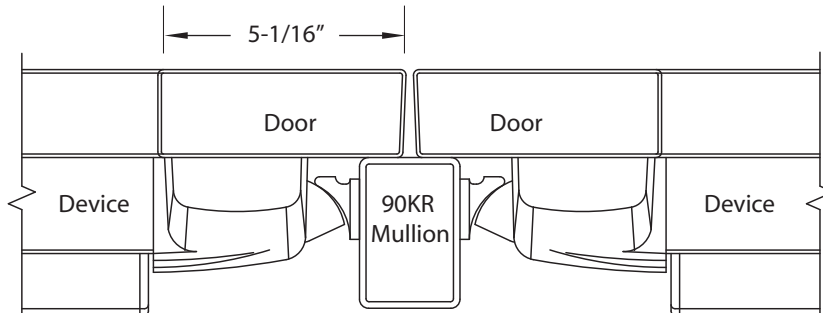
## Finishes

605 / US3	Polished Brass	628 / US28	Aluminum Satin	693 / SPBLK	Black, Painted
606 / US4	Brushed Brass	629 / US32	Polished Stainless Steel	695 / SP 313	Dark Bronze, Painted
611 / US9	Polished Bronze				
612 / US10	Brushed Bronze	630 / US32D	Brushed Stainless Steel		
613 / US10B	Oil Rubbed Bronze				

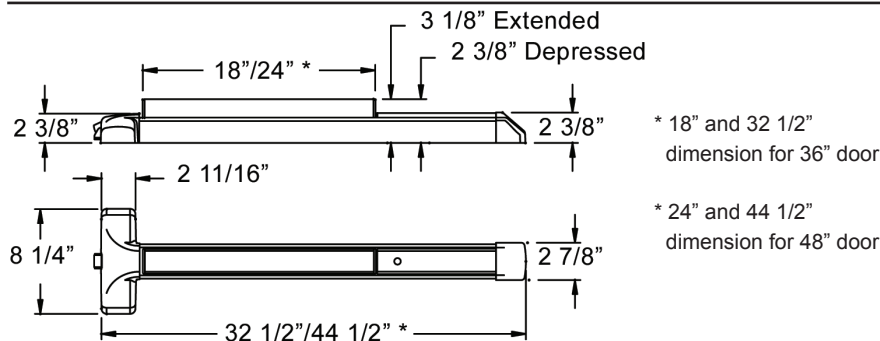
## Single Door



## Double Door with 90KR Mullion



## Dimensions



## Listings and Approvals

- UL LISTED UL US LISTED Panic Hardware
- UL LISTED UL US LISTED UL Listed Fire Exit Hardware for 3 hours, maximum 4'x10' single doors and pairs of 4'x8' with F90KR key removable Mullion
- Meets ADA requirements
- UBC 97, Standard 7-2 and UL10C for positive pressure
- BHMA CERTIFIED ANSI/BHMA certified A156.3
- NFPA Meets NFPA 80 & 101 for Life Safety
- Miami-Dade County, Florida NOA 12-0209.11 EXP. 04/07/15
- State of Florida Approval FL9052
- California State Fire Marshall - 4140-0127:105 and 3725-0127:108

## Detex Limited Warranty

10 Year Mechanical/3 year Electrical Limited Manufacturers Warranty

Where Trust is Built™  
**DETEX**®  
Life Safety and Security Door Hardware

Detex Corporation  
302 Detex Drive  
New Braunfels, Texas 78130-3045 USA  
PH. (830) 629-2900  
(800) 729-3839  
FAX (830) 620-6711  
(800) 653-3839  
<http://www.detex.com>  
USA Sales:  
[marketing@detex.com](mailto:marketing@detex.com)  
International Sales:  
[export@detex.com](mailto:export@detex.com)