

Everlast® THRESHOLDS

PLASTIC THRESHOLDS

Everlast Polymer plastic thresholds are the answer to high traffic and corrosive areas.

Our plastic thresholds keep their shape, are able to withstand the weather, and have eliminated the continual problems of replacing damaged and corroded aluminum thresholds.



¼" Thick Options

- Available in Grey, Charcoal, Brown, Black
- Smooth surface only (lightly textured)
- Up to 96" in length
- Bevel (Coped) or straight edge

1/2" Thick Options

- Smooth Available in Grey, Charcoal, Brown, Black
- Anti-Slip Available in Grey, Charcoal and Black only
- Up to 108" in length
- Bevel (Coped) or straight edge
- Saddle Milling

How To Order

TH-EL(Width)(Thickness)(Bevel)(Surface) – Colour - Length

Example: TH-EL65SB-K-84

6" Wide, ½" Thick, Single Bevel, Smooth Surface, Black, 84 Inches Long.

Width (inches) – 4 to 18

Thickness – 4 = ¼" or 5 = ½"

Bevel – F = Flat (both sides)

SB = Single Bevel

DB = Double Bevel

Surface – AS = Anti-Slip (For ½" Thick Only),
Blank for standard/smooth

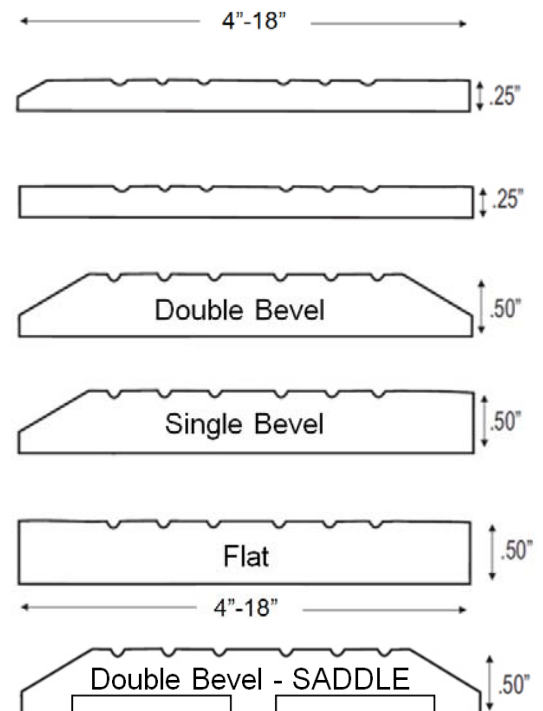
Colour – G = Grey, C = Charcoal, B = Brown,
K = Black

Saddle- -SADDLE (For ½" Thick Only)

Note: Number and spacing of milled slots on the bottom of thresholds ordered with Saddle option will vary depending on ordered width.

Features

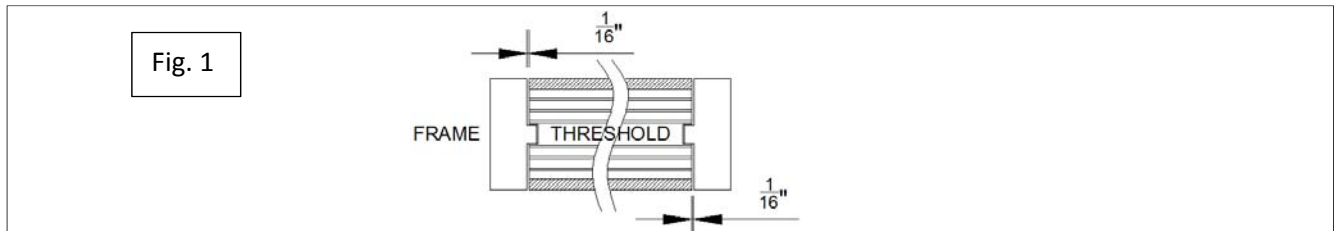
- Solid, compressed composite plastic
- FDA/USDA Approved
- UV Fade Resistant
- Durable in harsh environments
- Dramatically longer life cycle (compared to aluminum)
- Cost effective
- Available in widths from 4" to 18"
- **Limited Lifetime Warranty**



Installation Instructions for Everlast Polymer Thresholds

Step #1 – Make sure floor where threshold is to be installed is flat and clean.

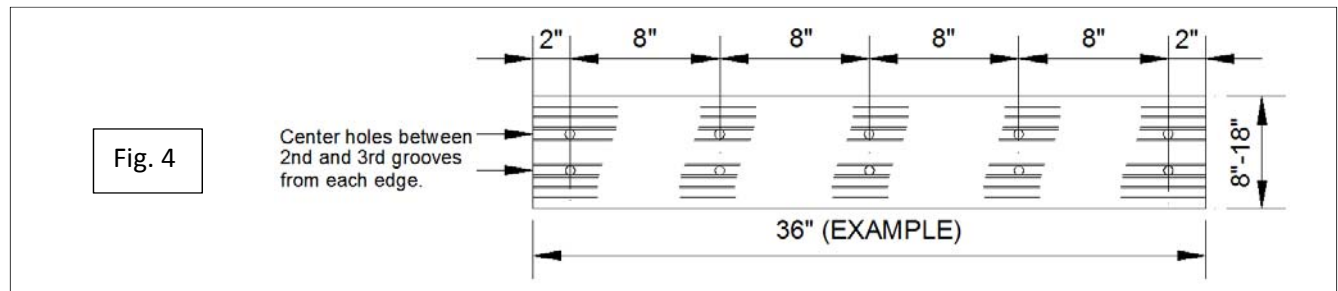
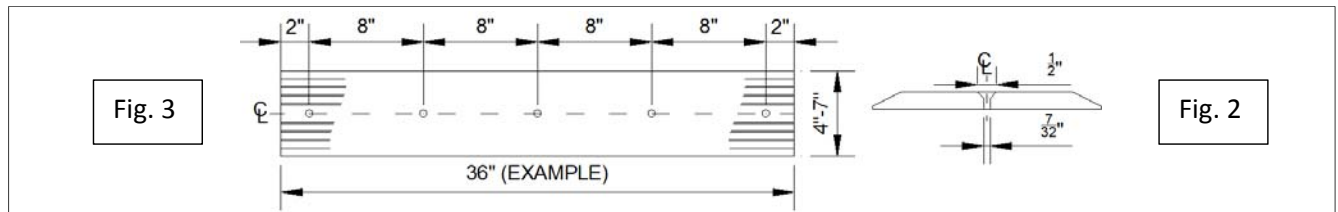
Step #2 – Cut threshold to fit, leaving 1/16" clearance at each end for expansion. Fig. 1



Step #3 – Drill (7/32" dia.) and countersink (1/2" dia.) holes 2" from each end, and every 8" for threshold length. Countersink each hole just enough for the head of the screw to sit flush with the top of the threshold. Fig. 2

CAUTION: Do not drill countersink hole deeper than is needed for screw head to sit flush!

- For thresholds 4" to 7" in width, see Fig. 3
- For thresholds 8" to 18" in width, see Fig. 4



Step #4 – Carefully place threshold in opening. Mark screw locations on floor. Drill appropriate sized holes in the floor for the fasteners (and anchors) being used.

- #12 x 1-1/2" Flat Head, Stainless steel fasteners **must be used**. Do not use Tapcon type screws!
- For installations in concrete plastic anchor plugs **must be used**. Fig. 5

Step #5 – After drilling holes in floor, thoroughly clean floor. Floor must be clean and flat prior to final threshold installation.

Step #6 – Apply Geocel 2300 Construction Tripolymer Sealant (or equivalent) as shown in Fig. 5, to the underside of the threshold. Place threshold in opening and secure with the screws and anchors described in Step #4.

