

Everlast® THRESHOLDS

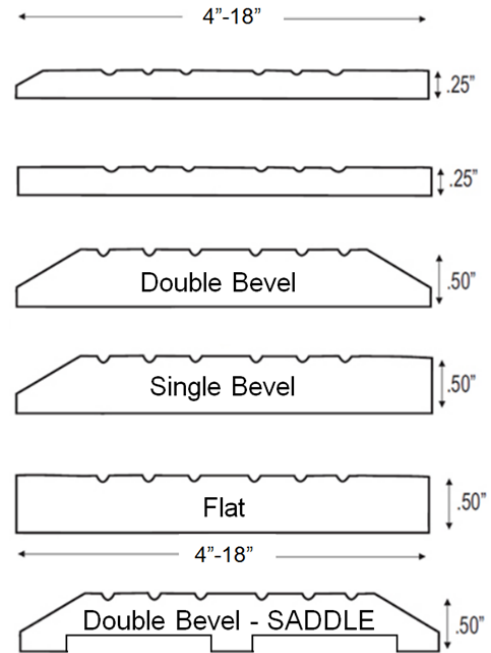
ANTIMICROBIAL THRESHOLDS

Everlast Thresholds offer super tough, high-density polyethylene thresholds with an advanced antimicrobial technology for protecting the product surface against stain and odor causing bacteria, algae, and fungi.

Unlike surface applied antimicrobials, the advanced antimicrobial technology protects against bacterial degradation for the lifetime of the product, with a proprietary process.

Everlast Thresholds have a matte gloss finish. They are environmentally stabilized to withstand the harshest indoor and outdoor conditions. The Anti-Microbial Thresholds will not rust, delaminate, or rot when exposed to UV, humidity, or water.

Facilities using the antimicrobial thresholds will stay cleaner and fresher between cleanings. Studies have shown that surfaces with the antimicrobial technology can inhibit the amount of certain product-damaging bacteria by 99.99%* compared to an untreated surface. Everlast polymer thresholds never need painting or refinishing.



1/4" Thick Options

- Available in Light Grey, White
- Smooth surface only (lightly textured)
- Up to 96" in length
- Bevel (Coped) or straight edge

1/2" Thick Options

- Smooth Available in Light Grey, White
- Anti-Slip Tread Lines
- Up to 96" in length
- Bevel (Coped) or straight edge
- Saddle Milling

Features

- High-density polyethylene
- EPA registered under 40 CFR 152.25(a)
- UV Fade Resistant
- Durable in harsh environments
- Dramatically longer life cycle (compared to aluminum)
- Cost effective
- Available in widths from 4" to 18"
- **Limited Lifetime Warranty**

*Minor colour variation is possible.

How To Order

TH-ELAM(Width)(Thickness)(Bevel)(Surface) – Colour - Length

Example: TH-ELAM65SB-LG-84

6" Wide, 1/2" Thick, Single Bevel, Smooth Surface, Light Grey, 84 Inches Long.

Width (inches) – 4 to 18

Thickness – 4 = 1/4" or 5 = 1/2"

**Bevel – F = Flat (both sides)
SB = Single Bevel
DB = Double Bevel**

**Surface – AS = Anti-Slip Tread Lines (For 1/2" Thick Only),
Blank for standard/smooth**

***Colour – LG = Grey, WT = White**

Saddle – -SADDLE (For 1/2" Thick Only)

Note: Number and spacing of milled slots on the bottom of thresholds ordered with Saddle option will vary depending on ordered width.

Applications

- Clean Rooms
- Dental Facilities
- Hospitals
- Schools
- Locker Rooms
- Laboratories
- Nursing Homes
- Rest Rooms
- Veterinary Clinics